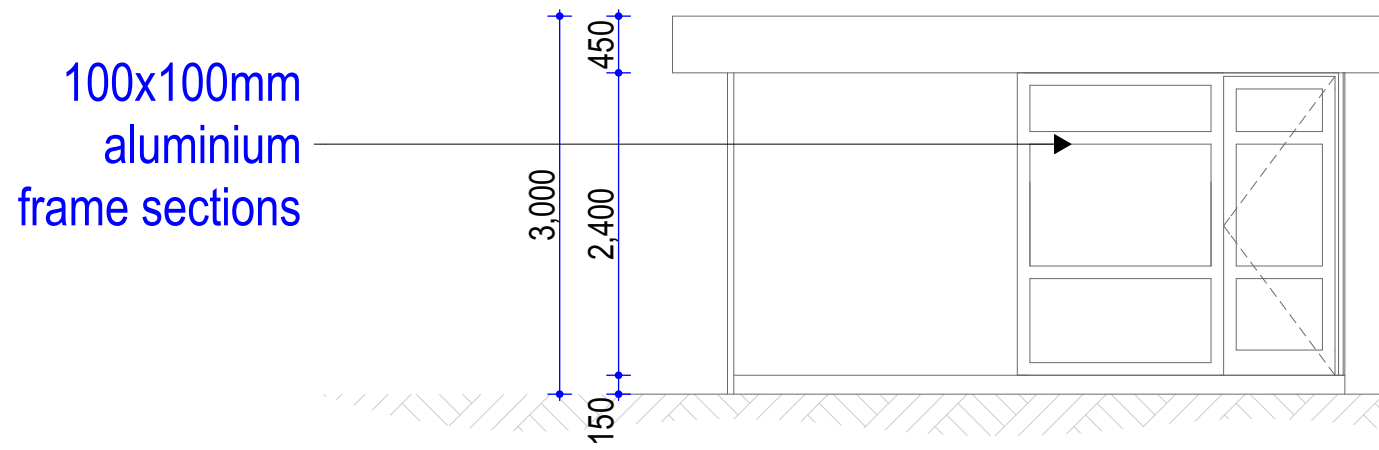
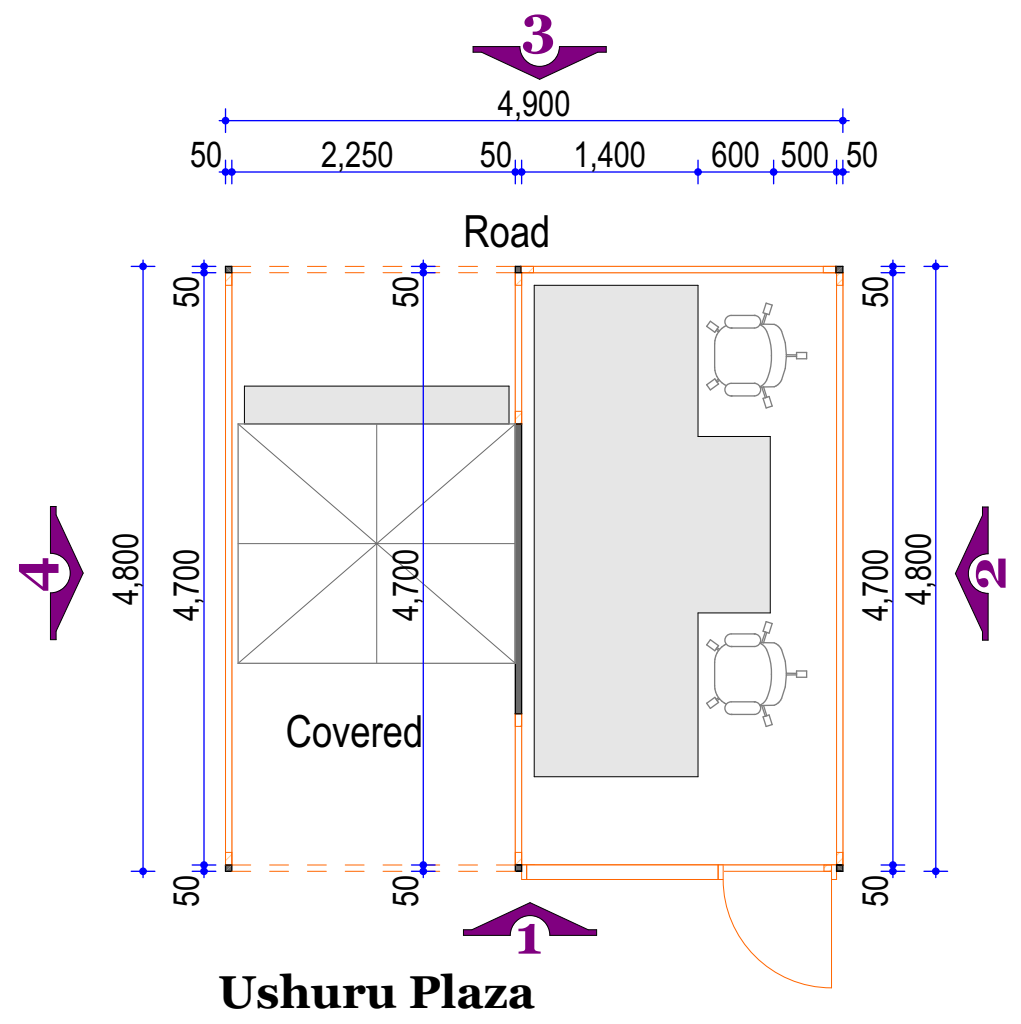
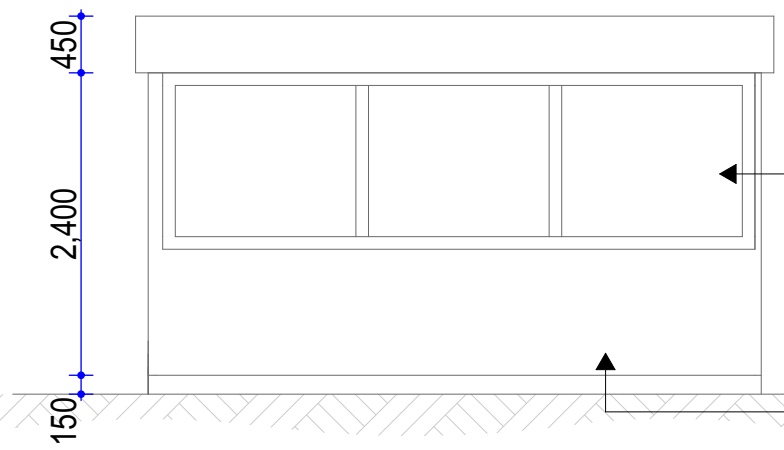


project: Times Tower {Three Typical Layout}	drawing description	Revision:	Scale: As Shown	
	Drawing No.	Date:		

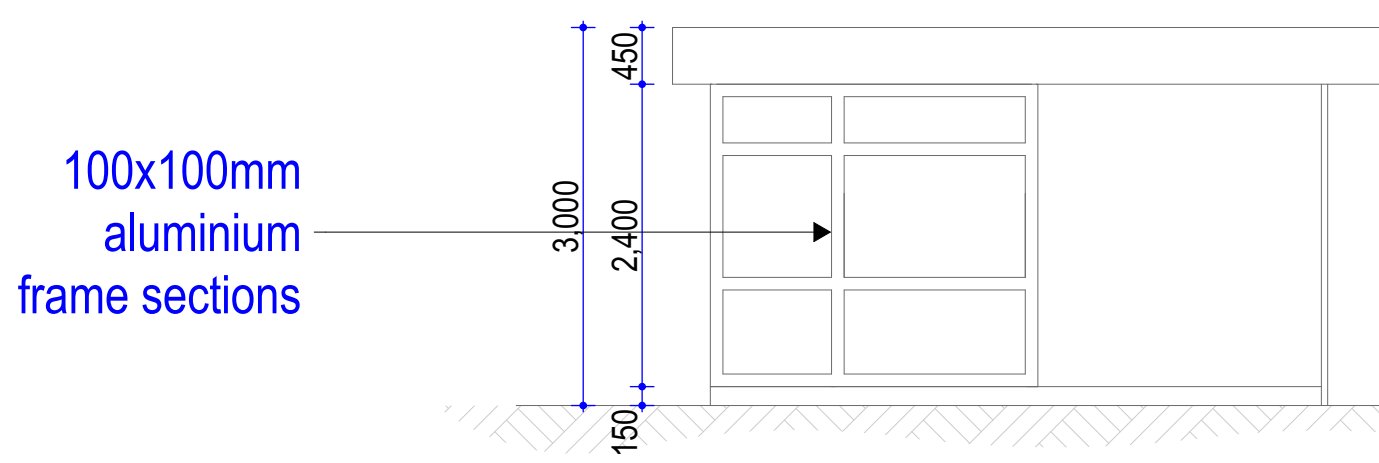


Elevation One

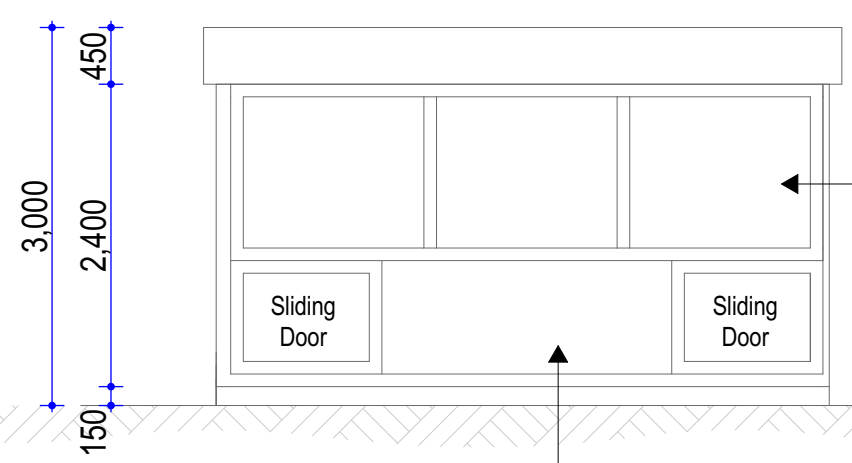


Elevation Two

8mm thick fixed glass
4mm thick steel plate welded on steel frames and spray painted to approval



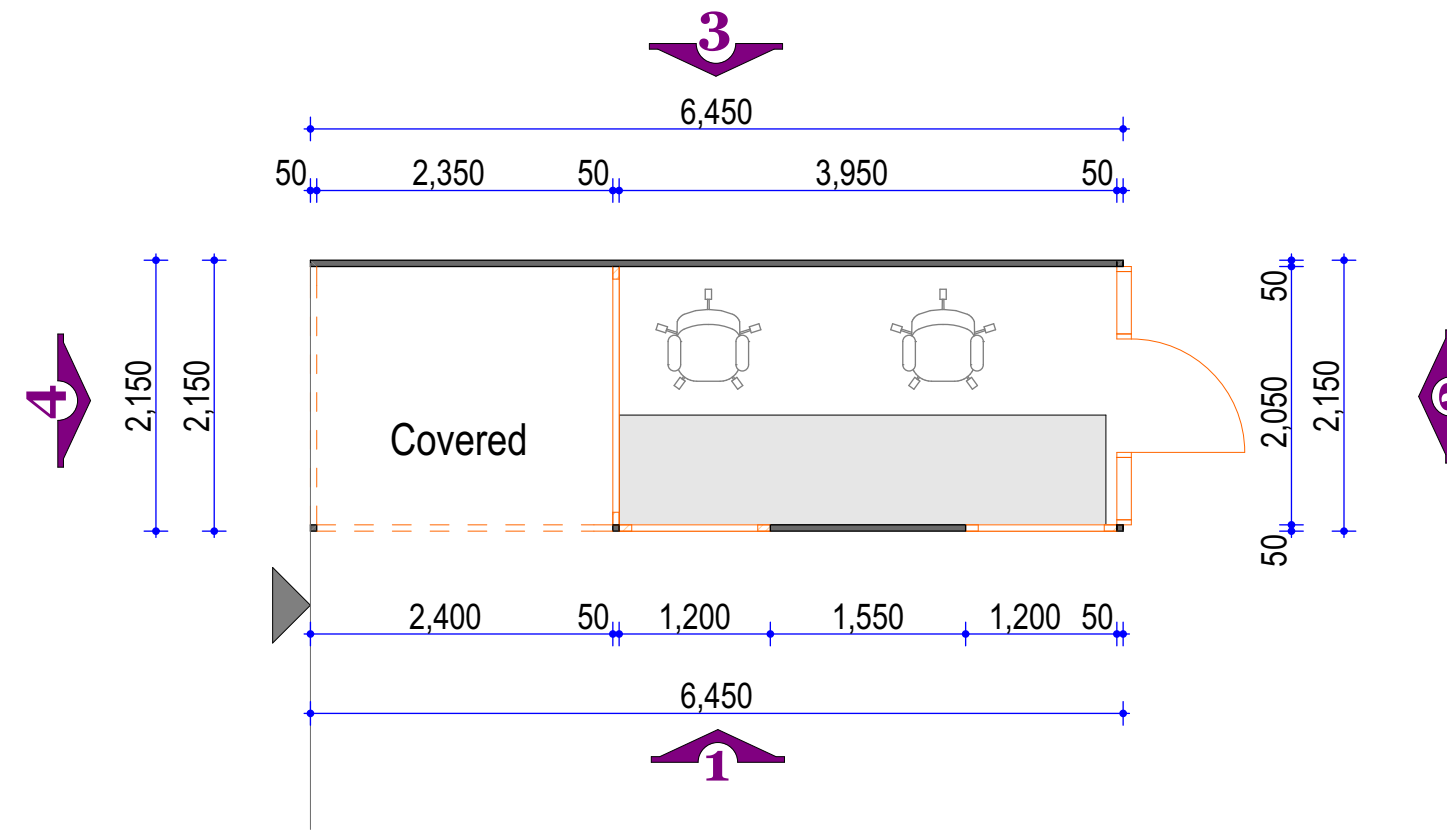
Elevation Three



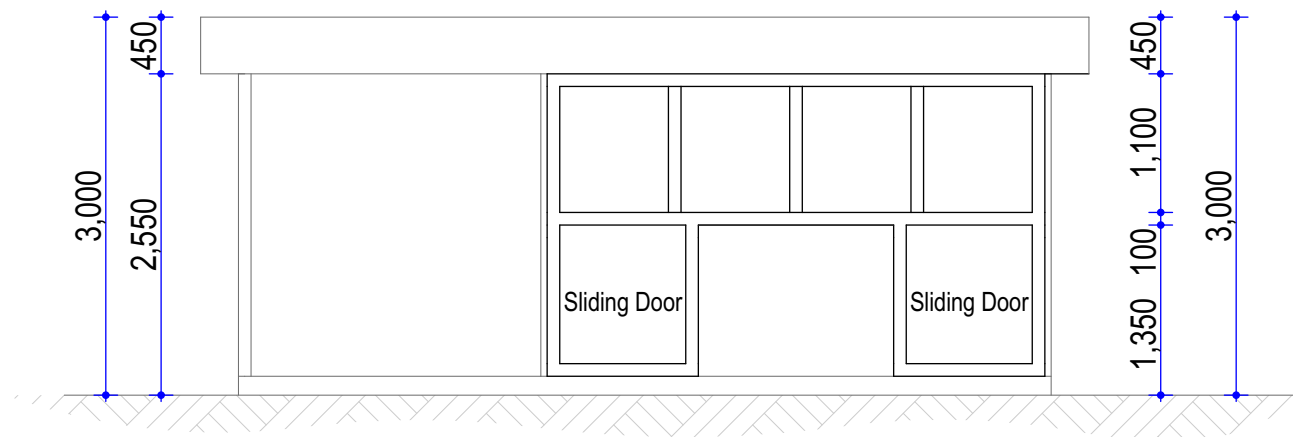
Elevation Four

8mm thick fixed glass
4mm thick steel plate welded on steel frames and spray painted

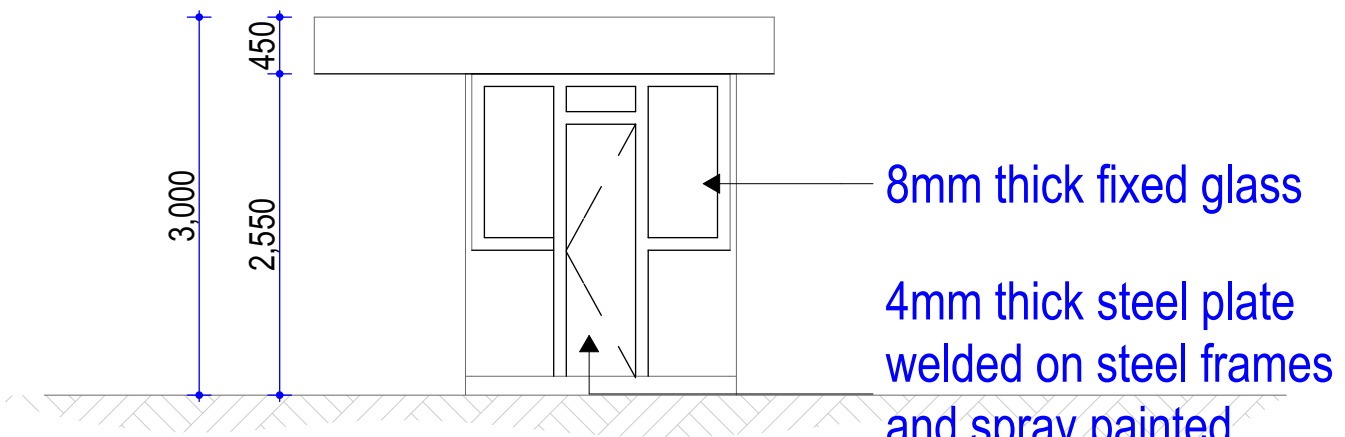
project: Ushuru Plaza {Two Typical Sheds}	drawing description	Revision:	Scale: As Shown	
	Drawing No.	Date:	Date:	



KRA Thika House



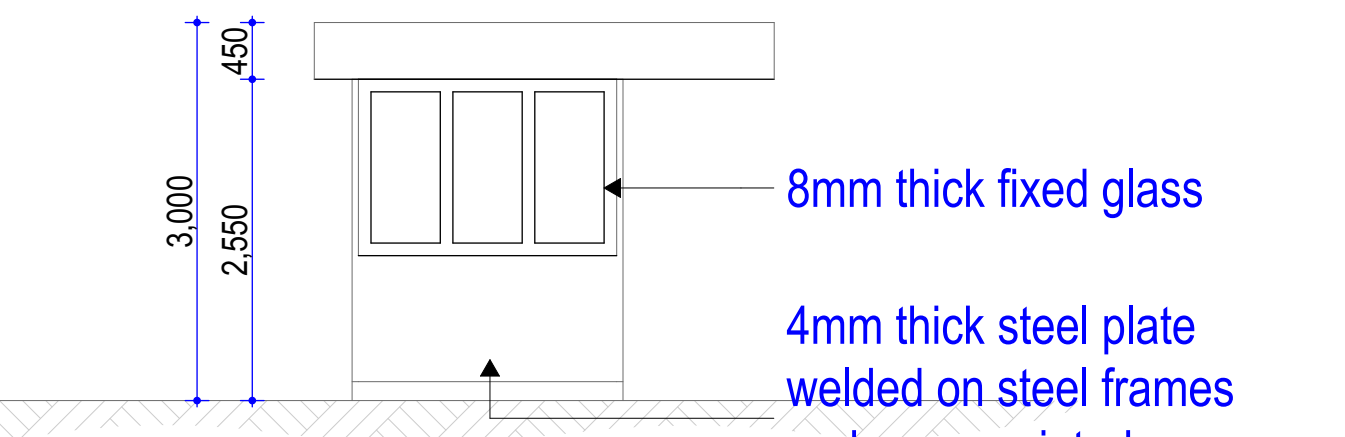
Elevation One



Elevation Two

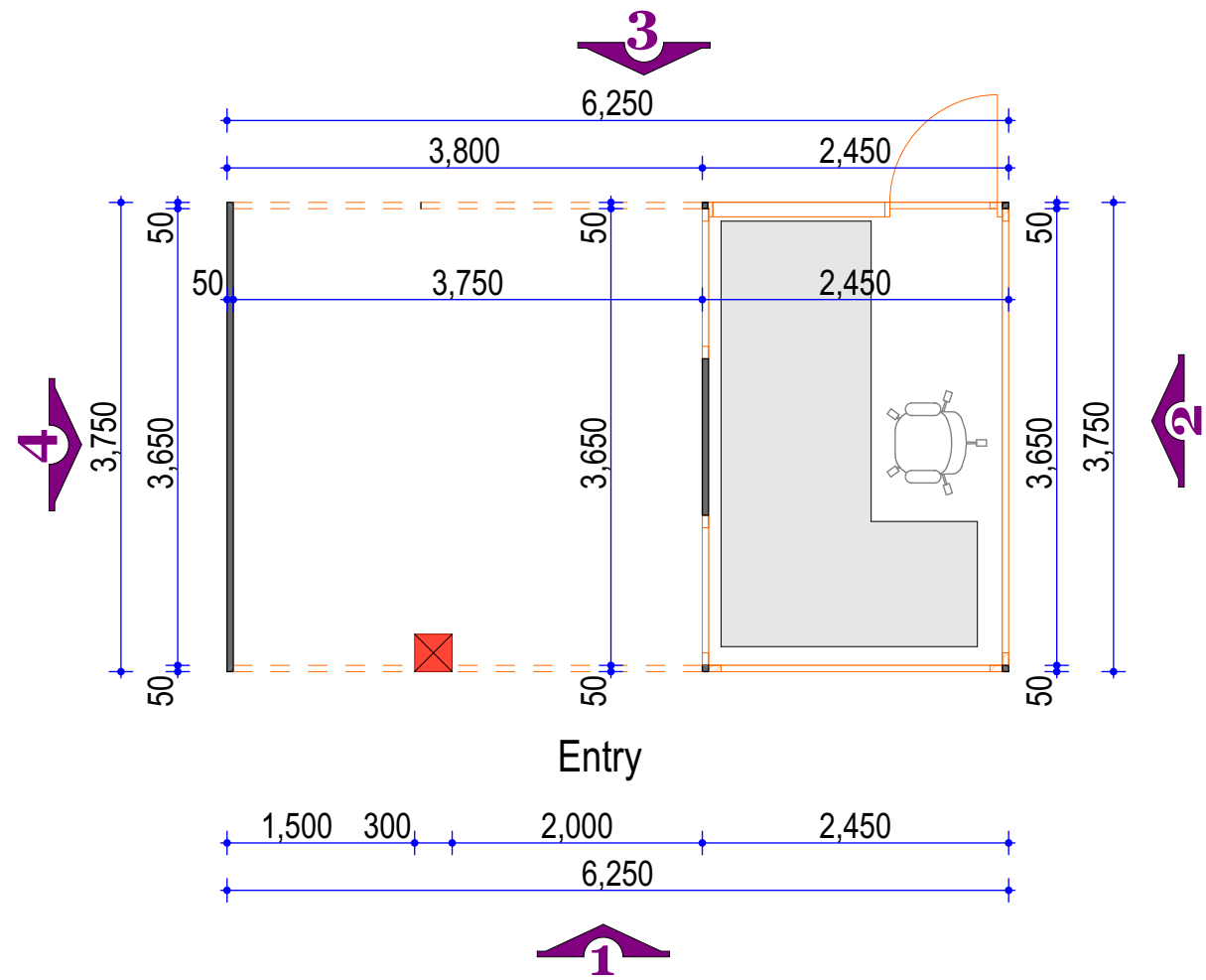


Elevation Three

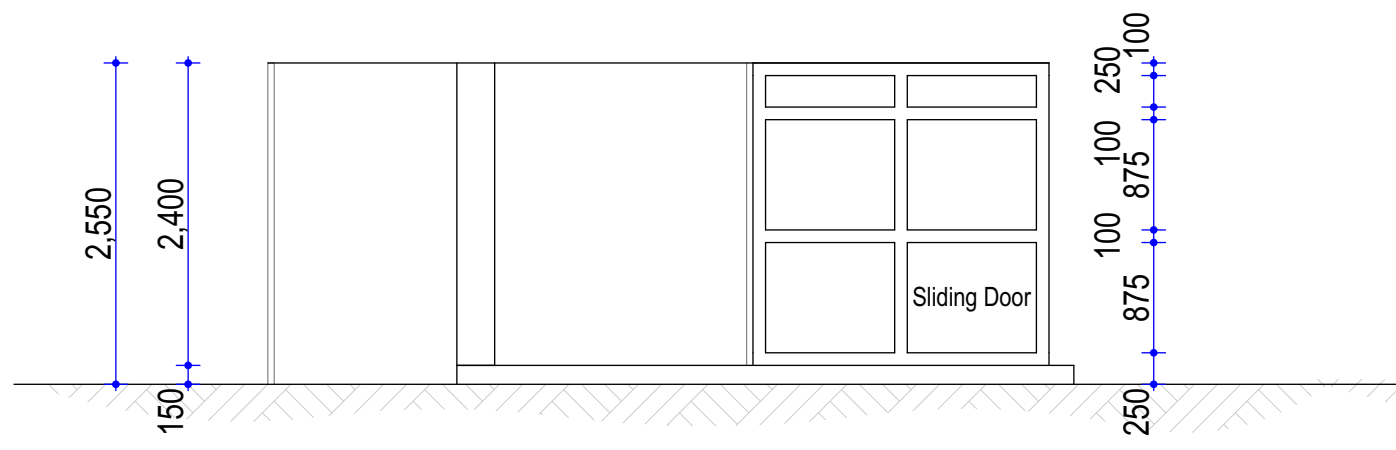


Elevation Four

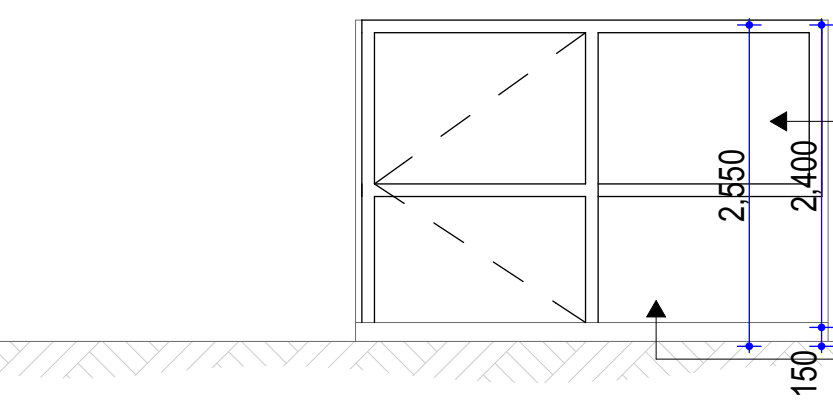
project: KRA Thika House	drawing description	Revision: Date:	Scale: As Shown	
	Drawing No.			



KESRA Basement Parking



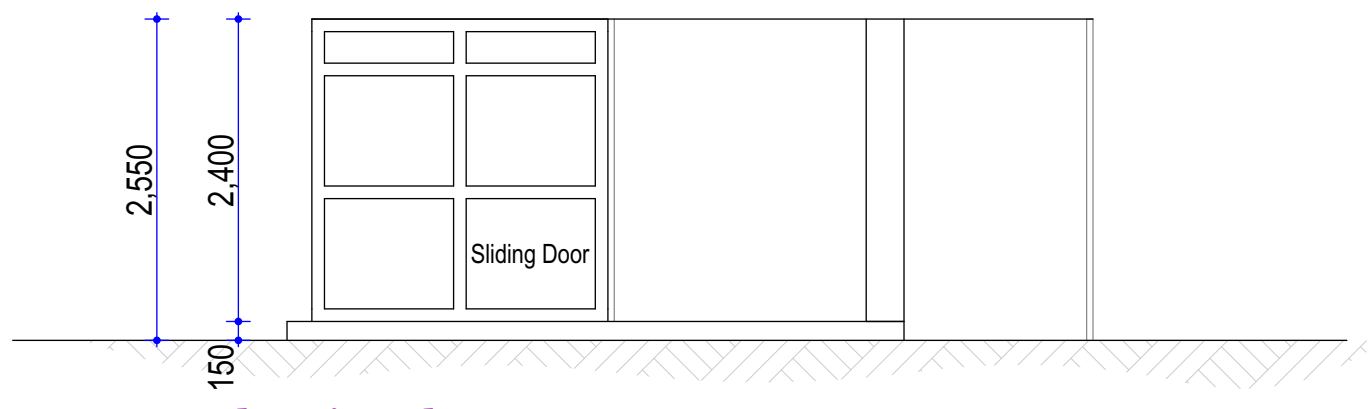
Elevation One



8mm thick fixed glass

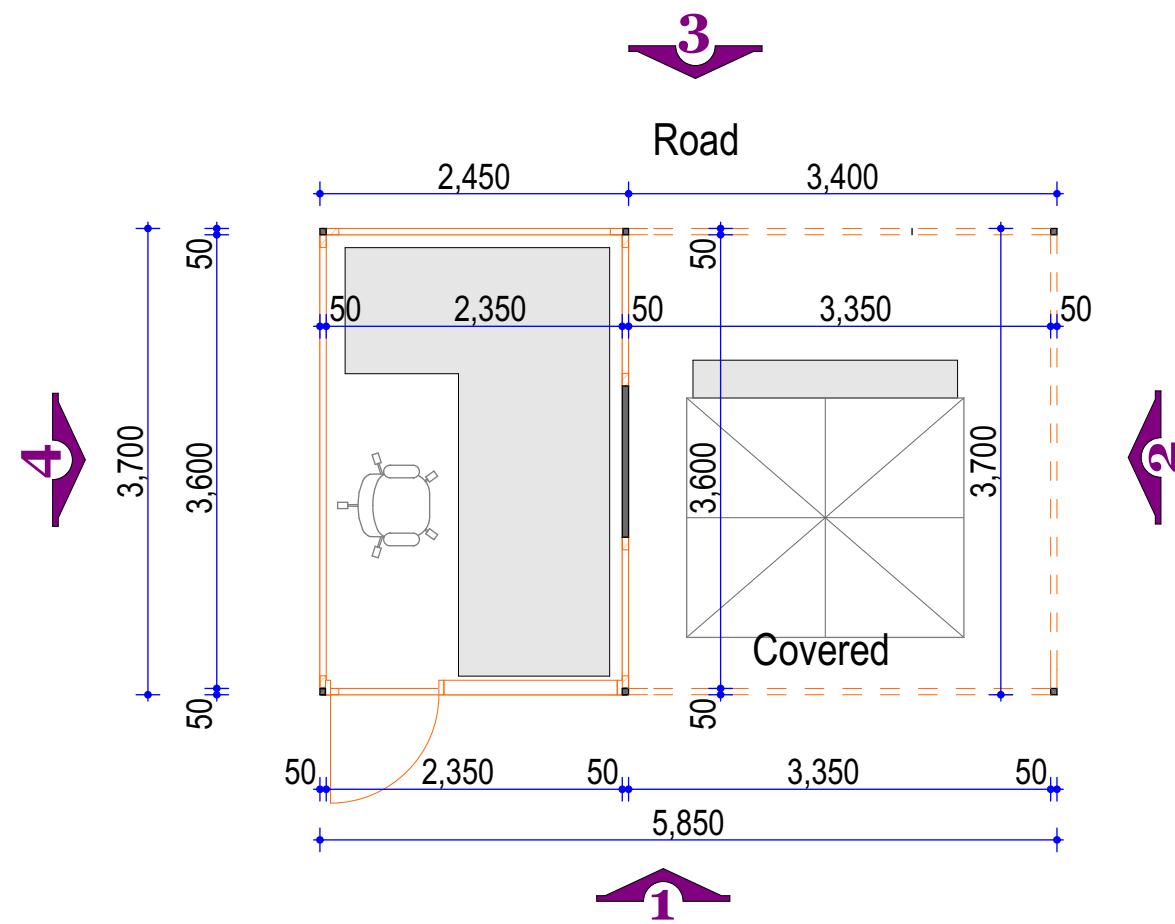
4mm thick steel plate welded on steel frames and spray painted to approval

Elevation Two

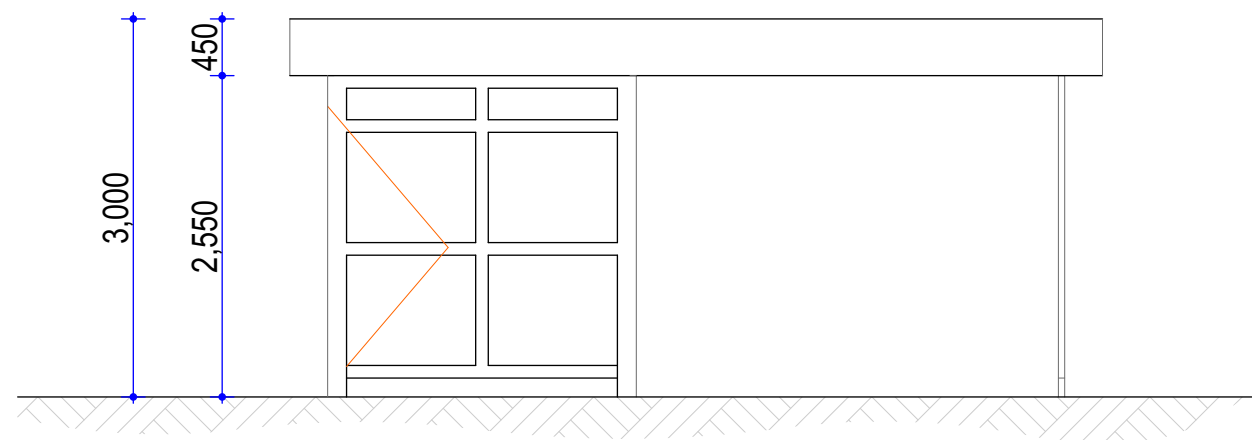


Elevation Three

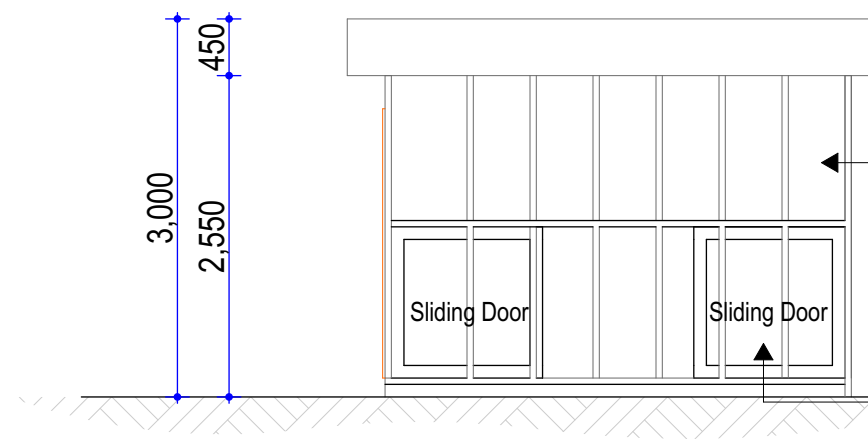
project: Kesra Basement	drawing description	Revision: Date:	Scale: As Shown	
	Drawing No.		Date:	



KESRA Pedestrian Entry



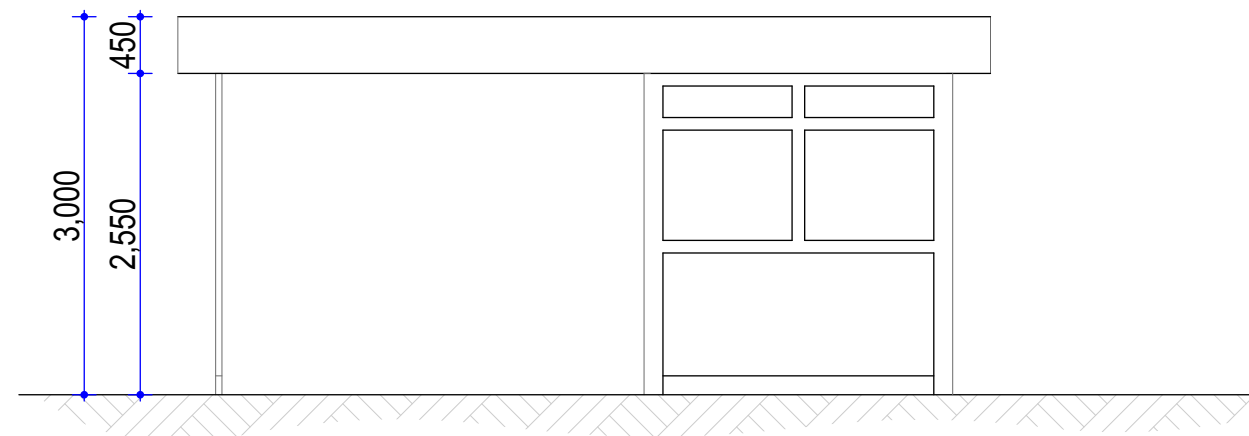
Elevation One



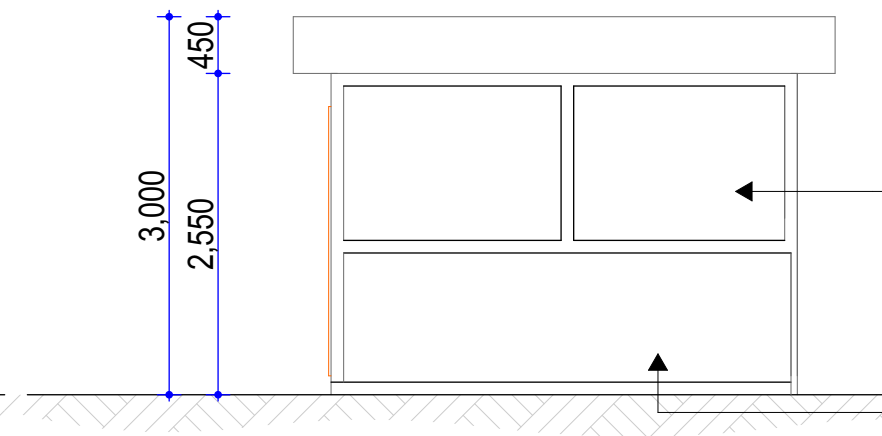
Elevation Two

8mm thick fixed glass

4mm thick steel plate welded on steel frames and spray painted to approval



Elevation Three

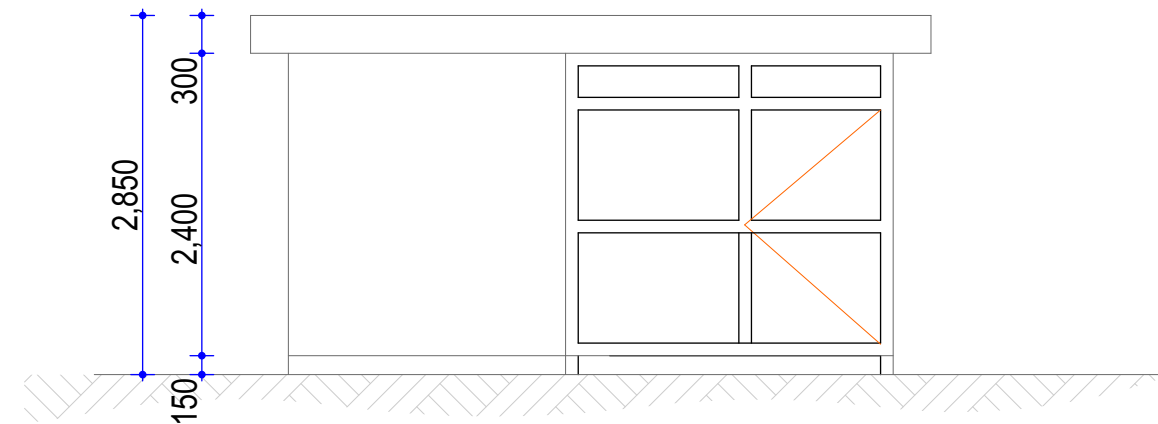
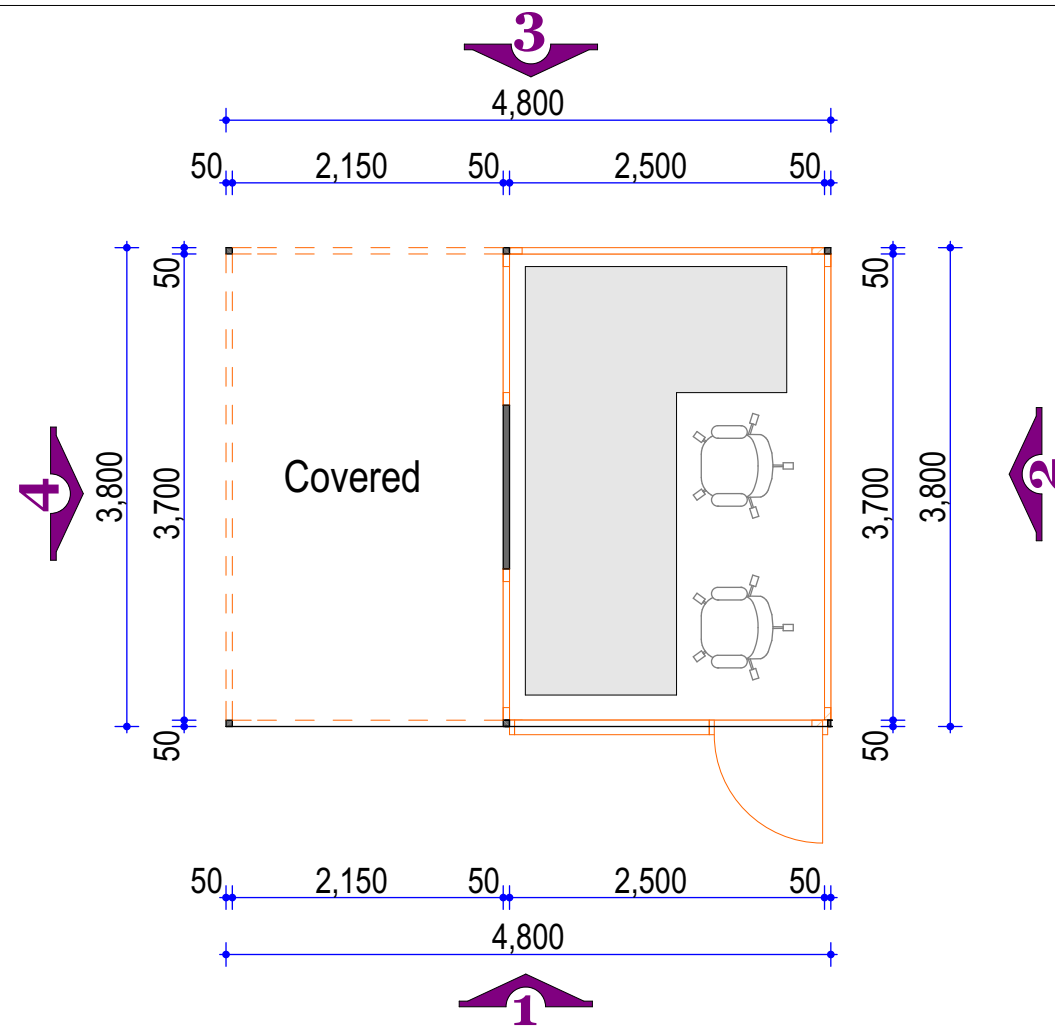


Elevation Four

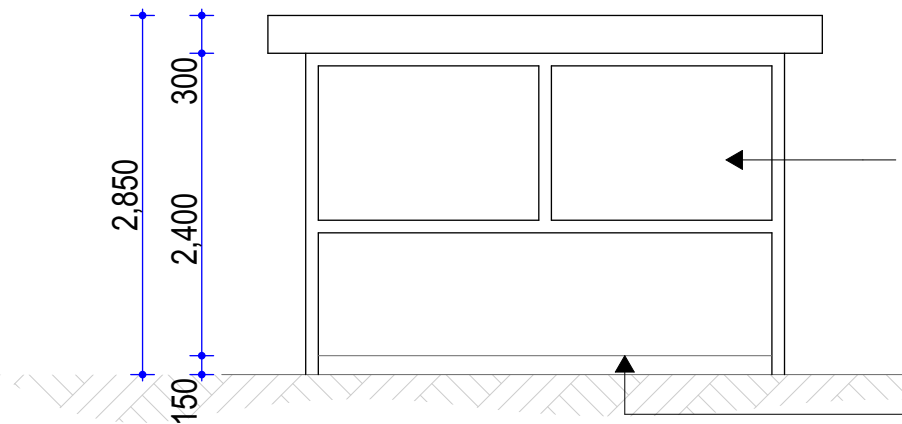
8mm thick fixed glass

4mm thick steel plate welded on steel frames and spray painted to approval

project: Kesra Parking Lot	drawing description	Revision: Date:	Scale: As Shown	
	Drawing No.			

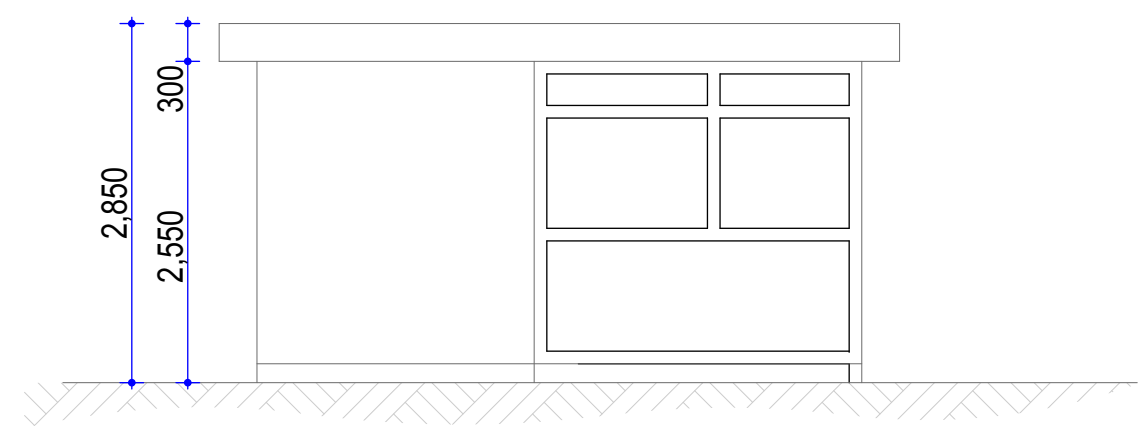


Elevation One

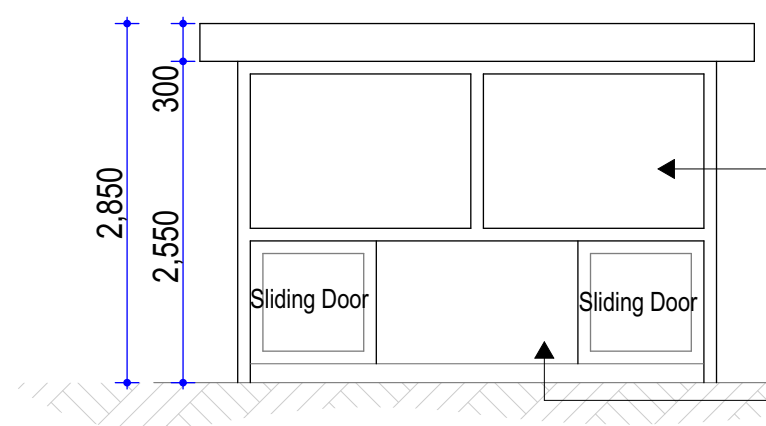


Elevation Two

8mm thick fixed glass
4mm thick steel plate welded on steel frames and spray painted to approval



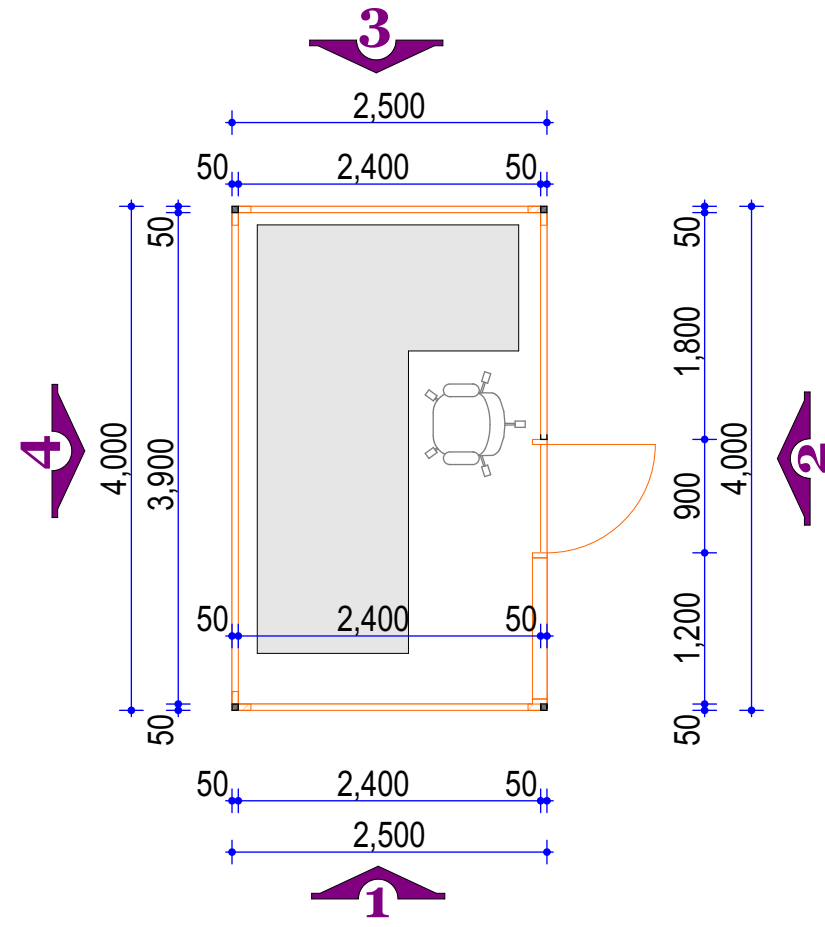
Elevation Three



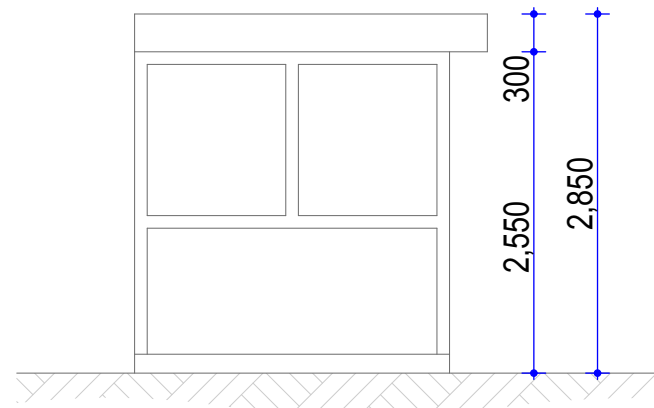
Elevation Four

8mm thick fixed glass
4mm thick steel plate welded on steel frames and spray painted to approval

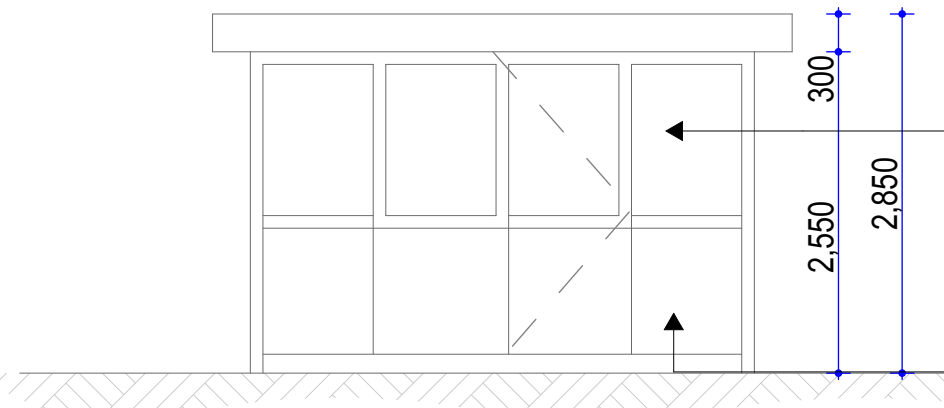
project:	drawing description	Revision:	Scale: As Shown	
Forodha House		Date:		
	Drawing No.		Date:	



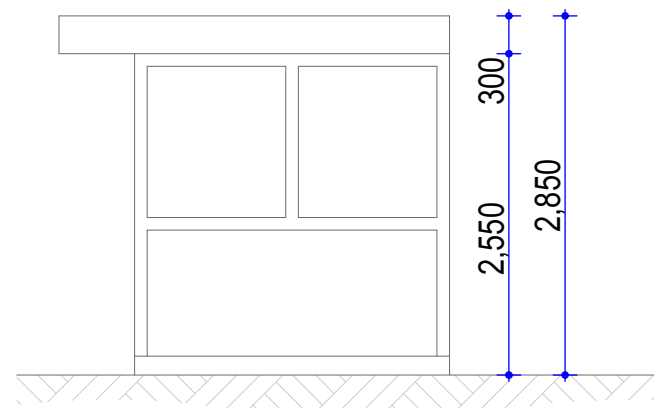
Malaba



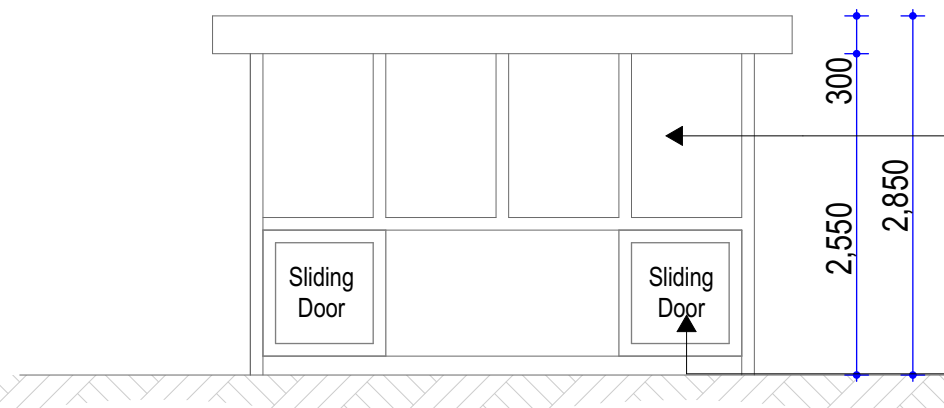
Elevation One



Elevation Two

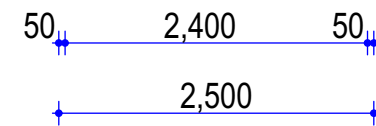
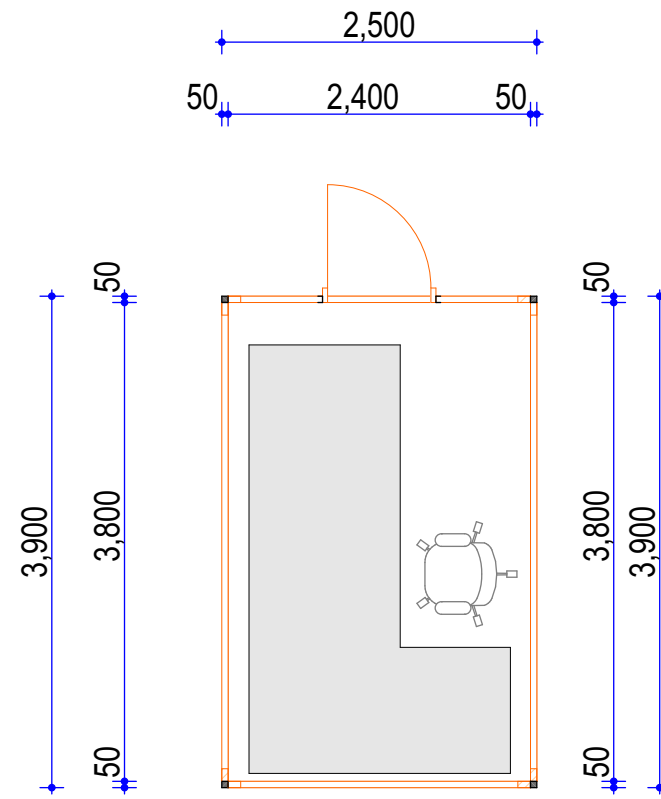


Elevation Three

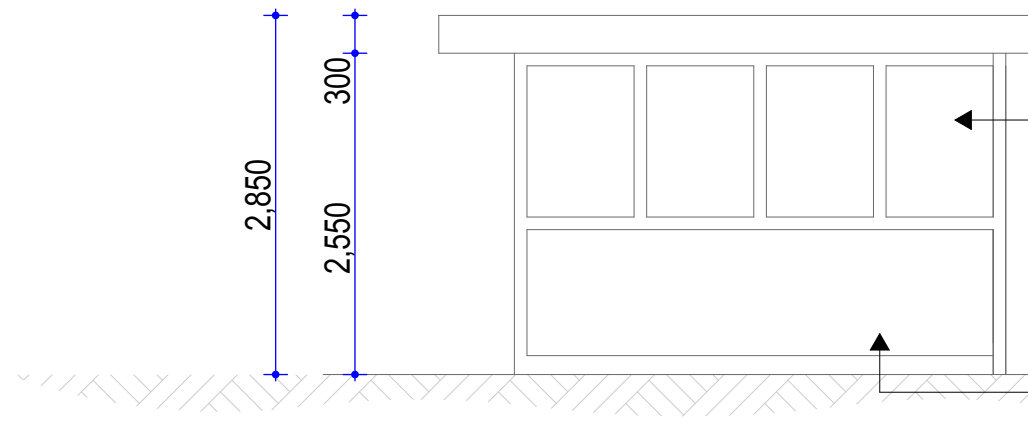
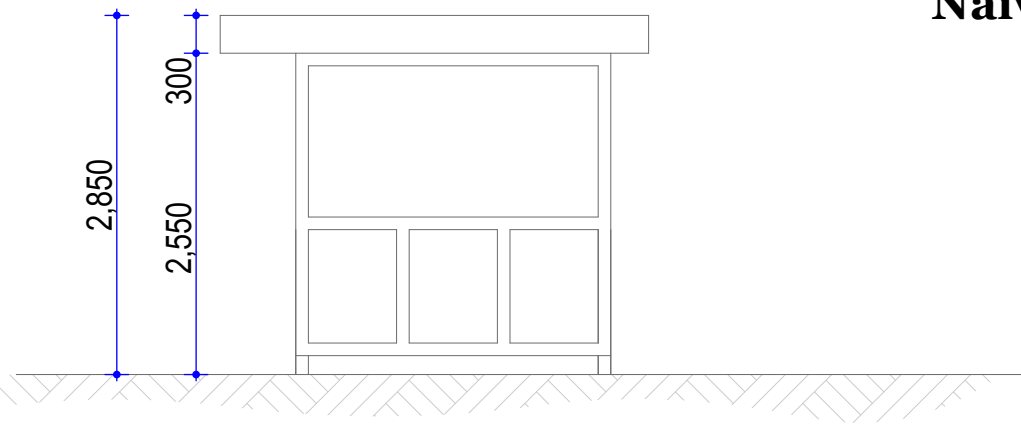


Elevation Four

project: Malaba	drawing description	Revision: Date:	Scale: As Shown	
	Drawing No.			

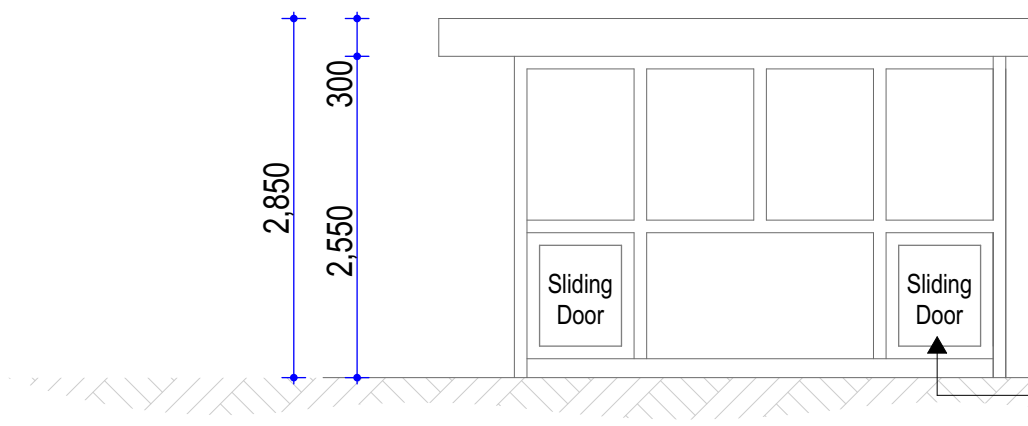
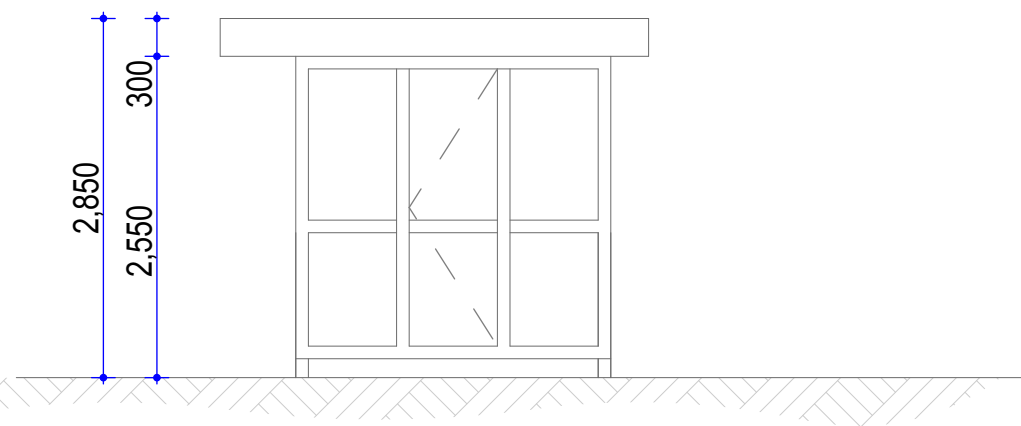


Naivasha



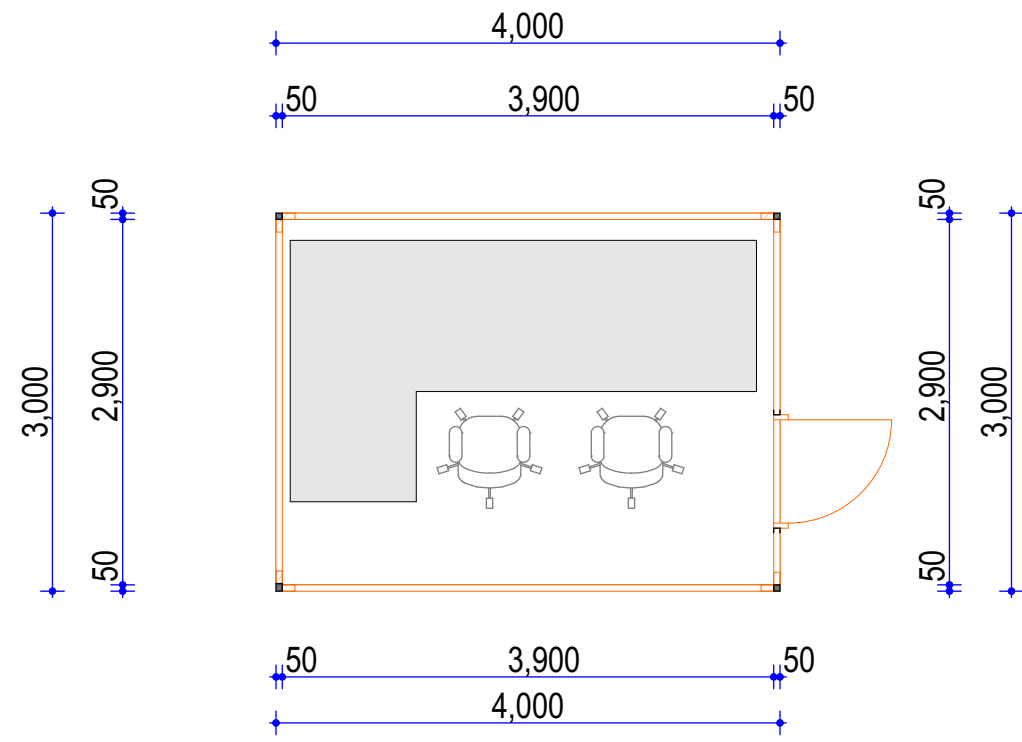
8mm thick fixed glass

4mm thick steel plate welded on steel frames and spray painted to approval

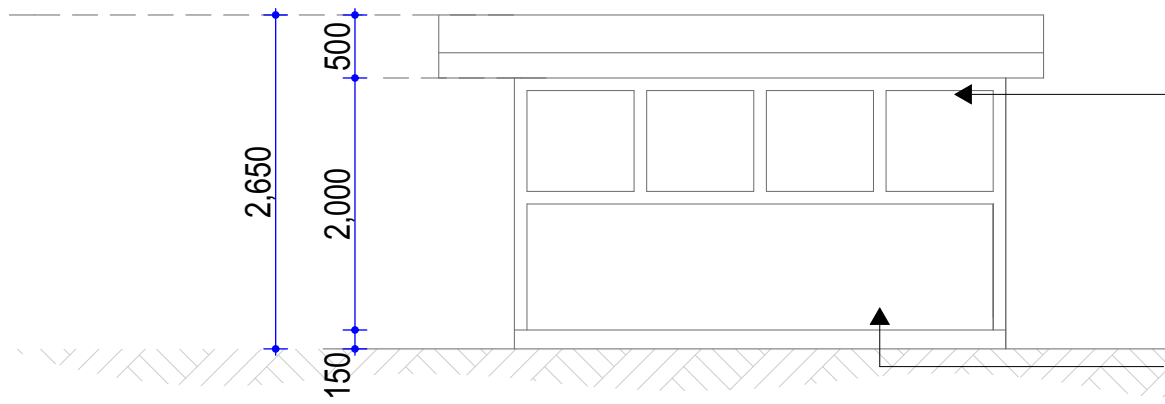
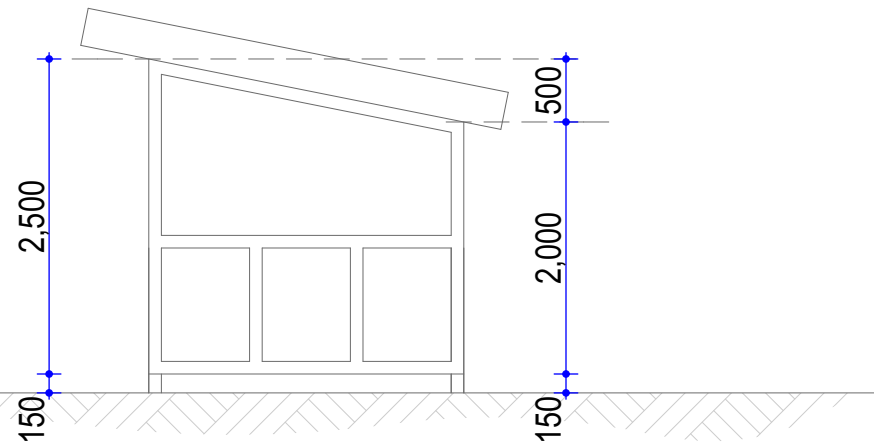


4mm thick steel plate welded on steel frames and spray painted to approval

project: Naivasha	drawing description	Revision: Date:	Scale: As Shown	
	Drawing No.		Date:	

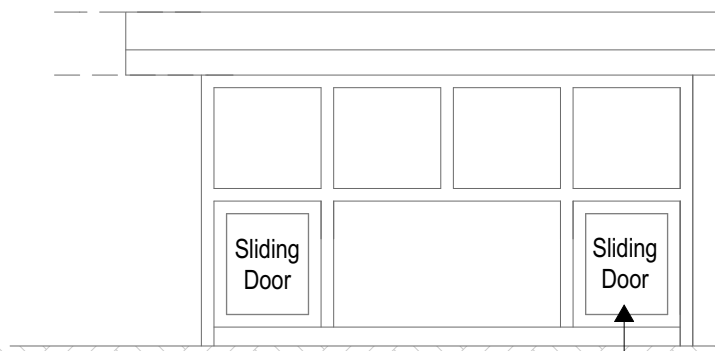
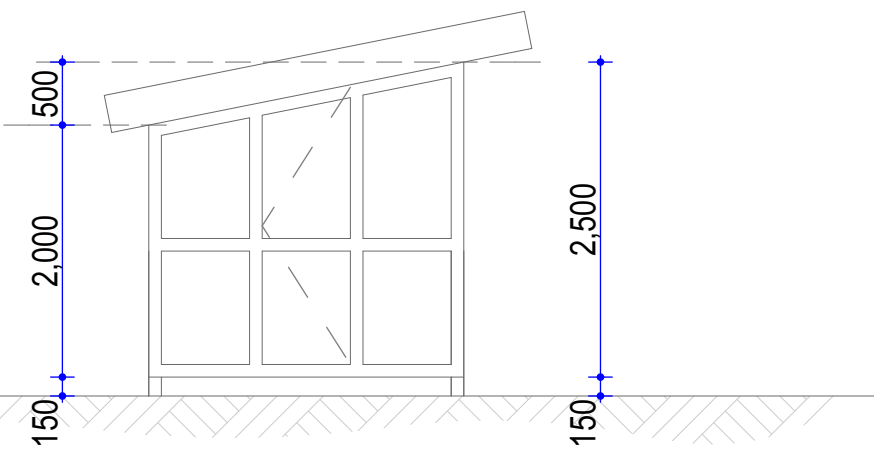


Nakuru



8mm thick fixed glass

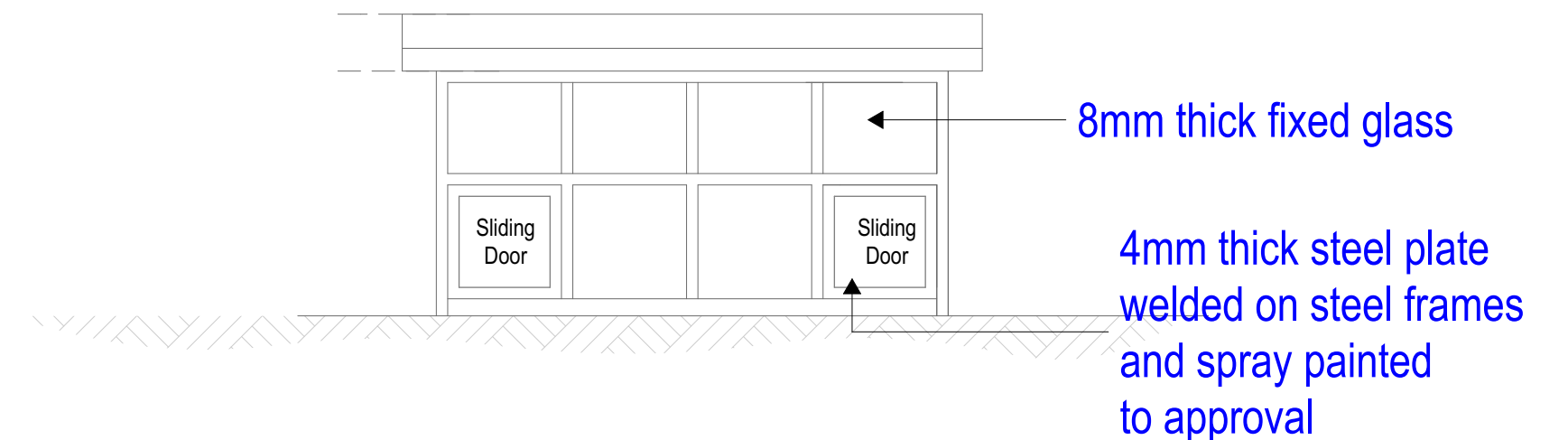
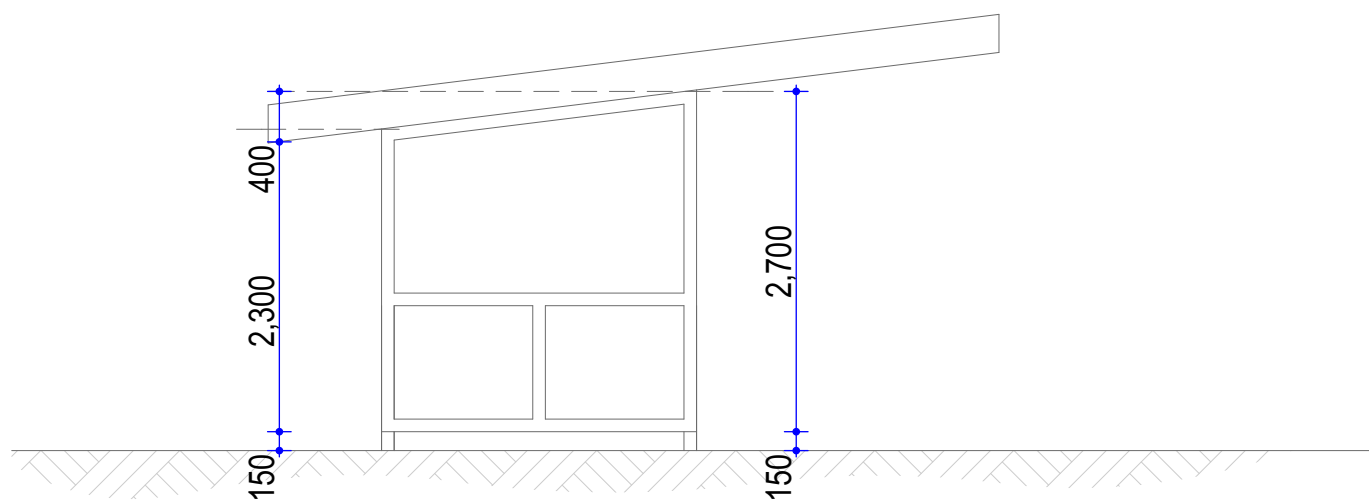
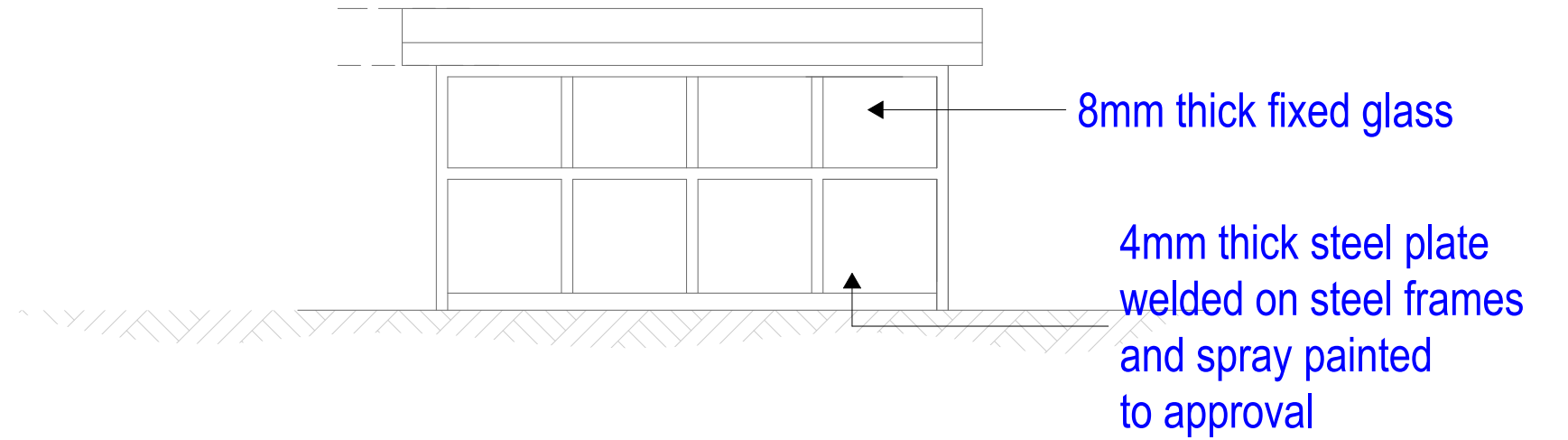
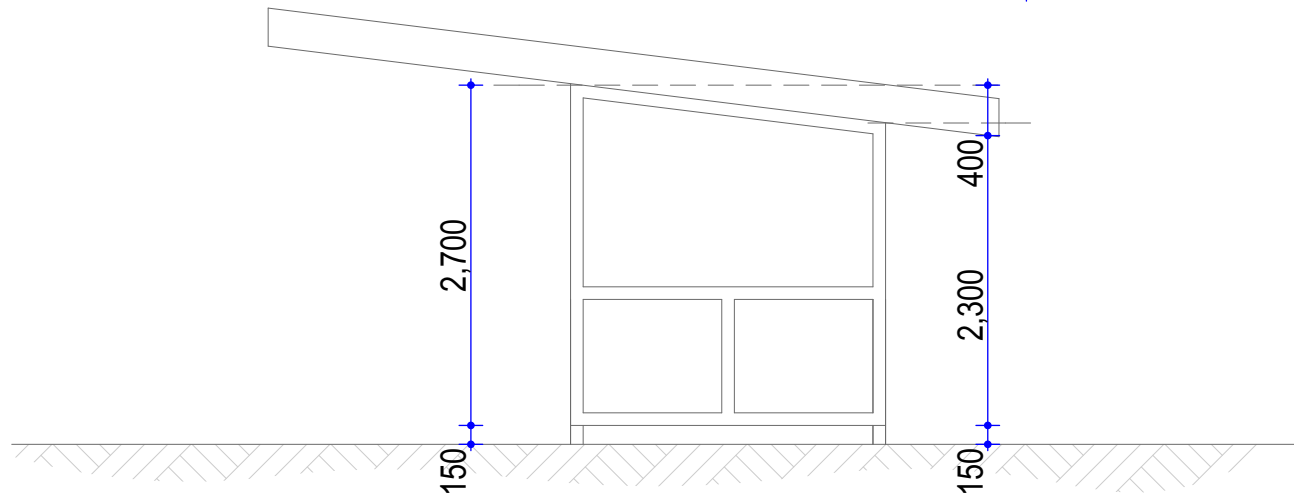
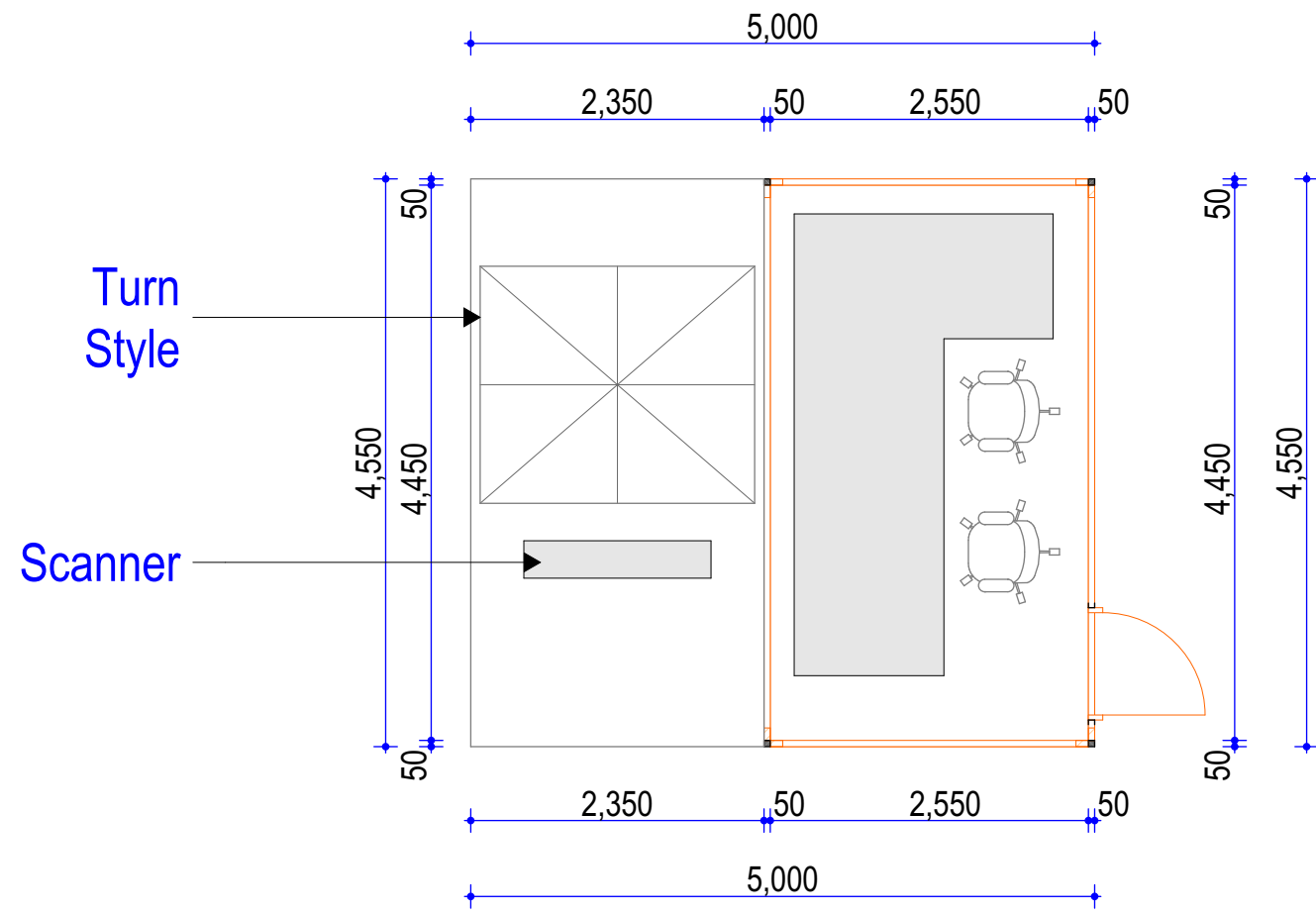
4mm thick steel plate welded on steel frames and spray painted to approval



4mm thick steel plate welded on steel frames and spray painted to approval

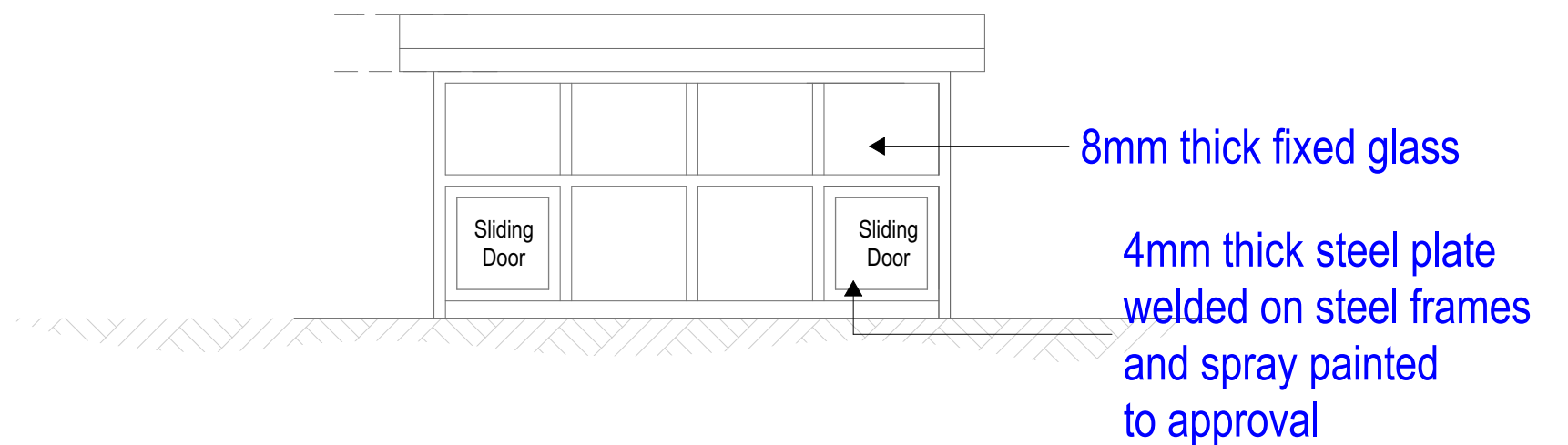
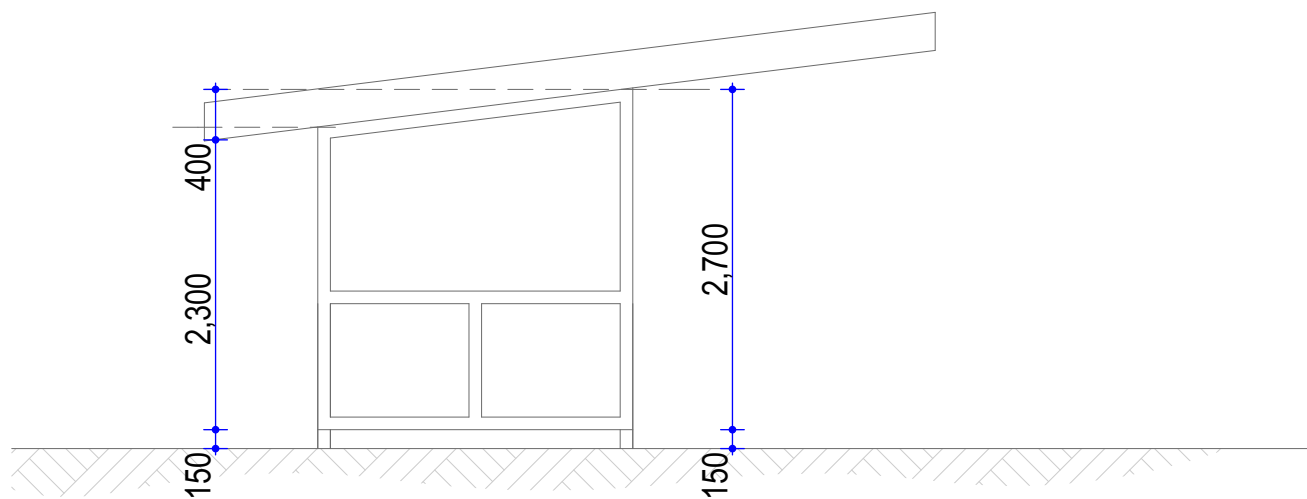
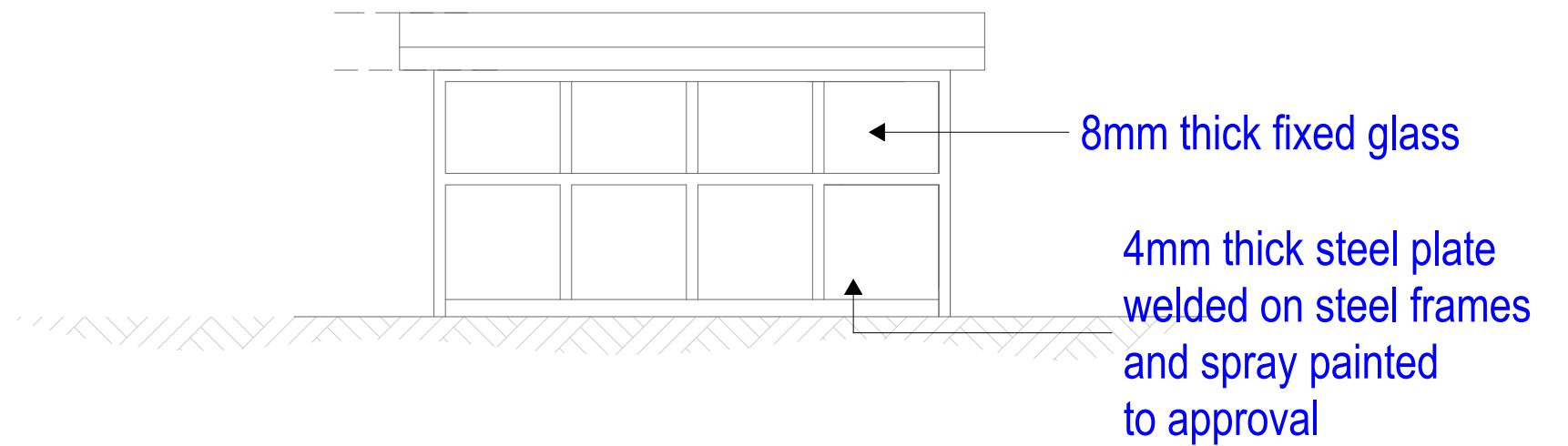
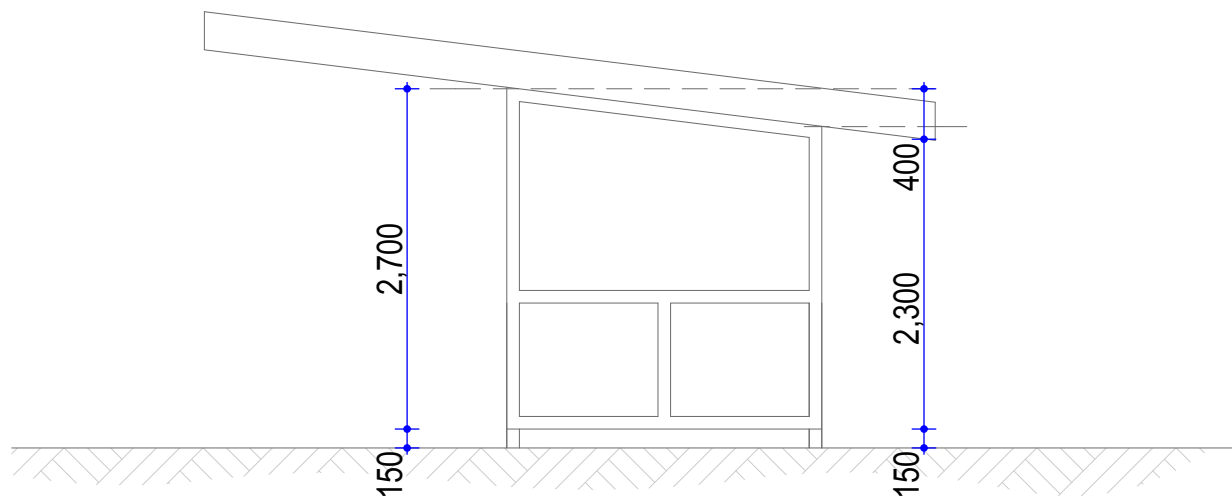
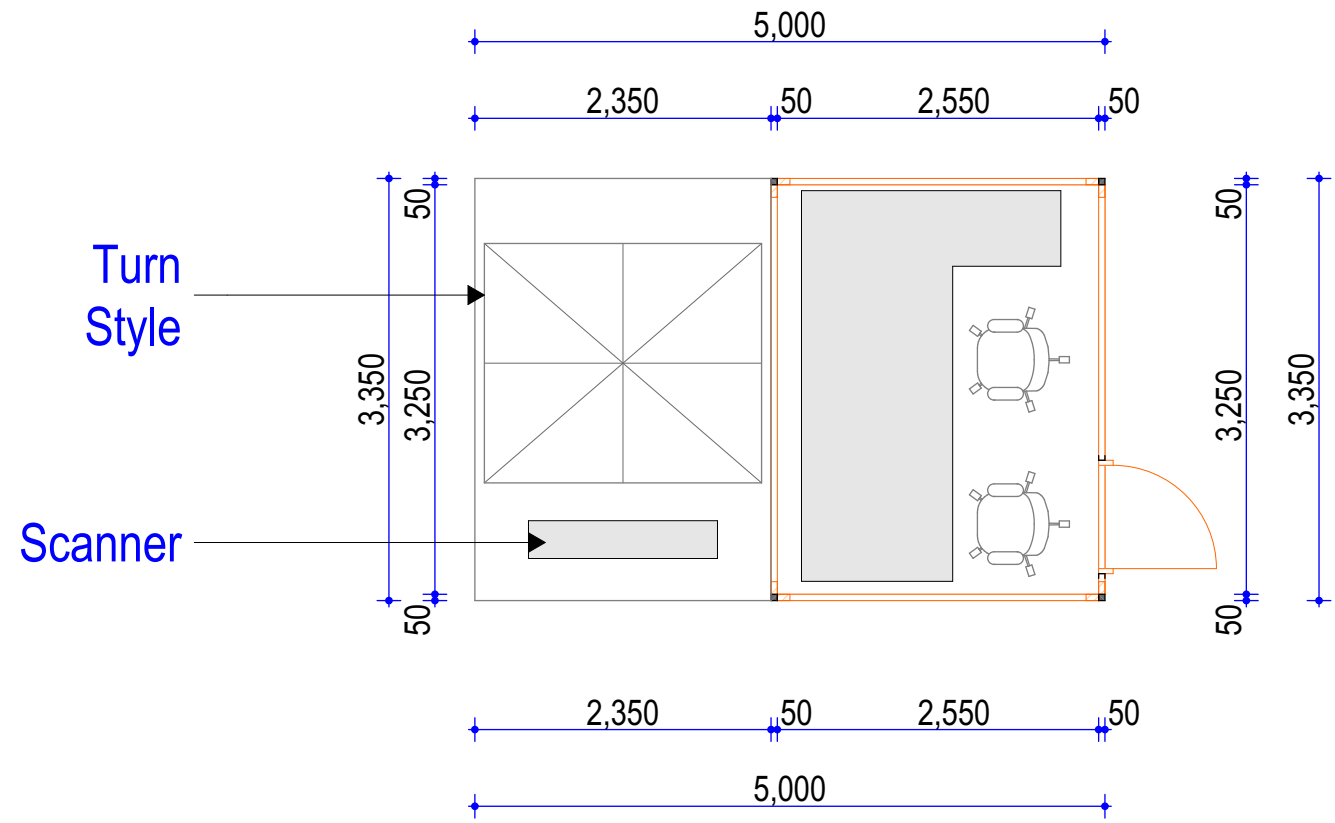
project: Nakuru	drawing description	Revision: Date:	Scale: As Shown	
	Drawing No.			

Custom House Mombasa Entrance

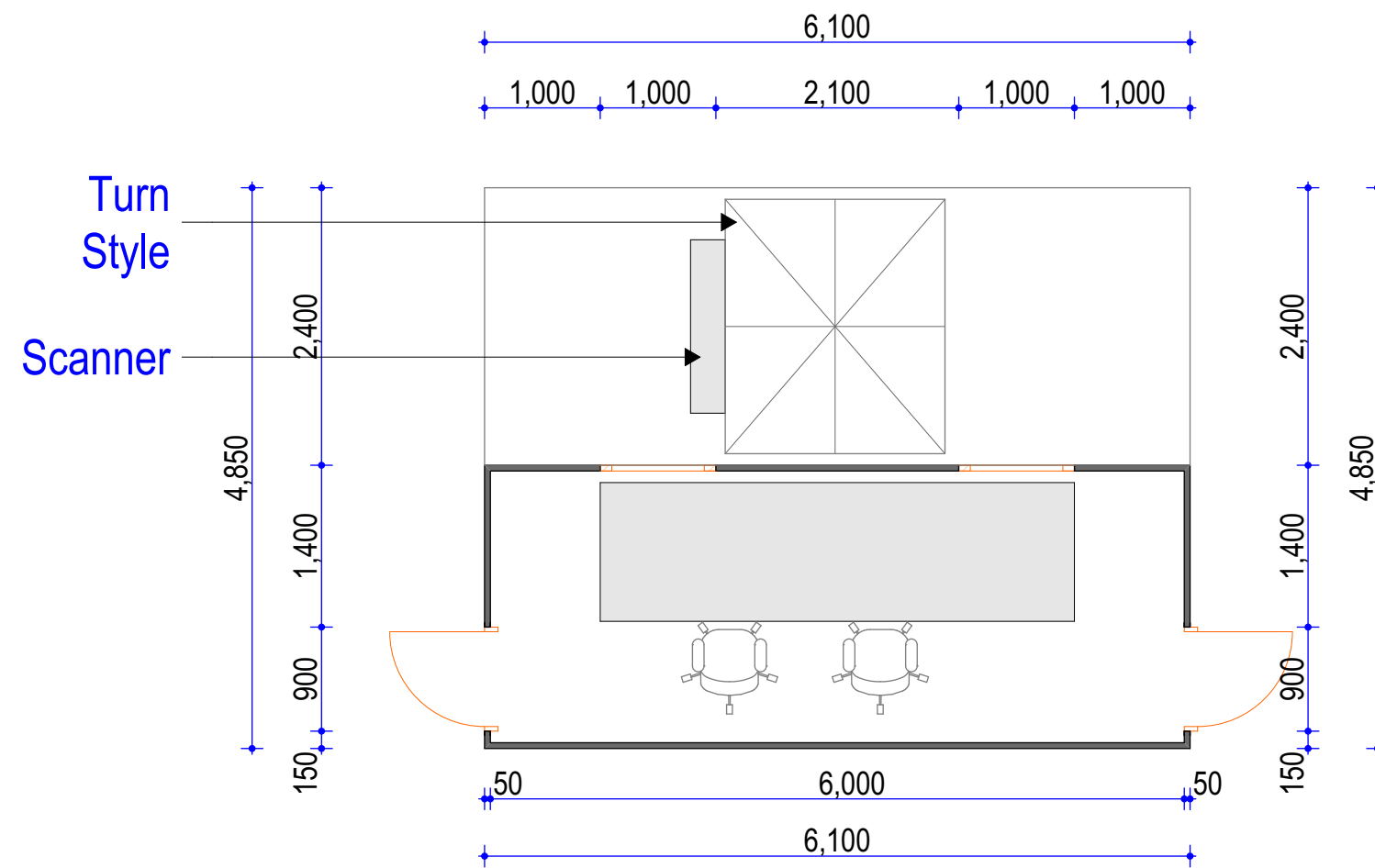


project: Custom House Mombasa Entrance	drawing description	Revision: Date:	Scale: As Shown	
	Drawing No.			

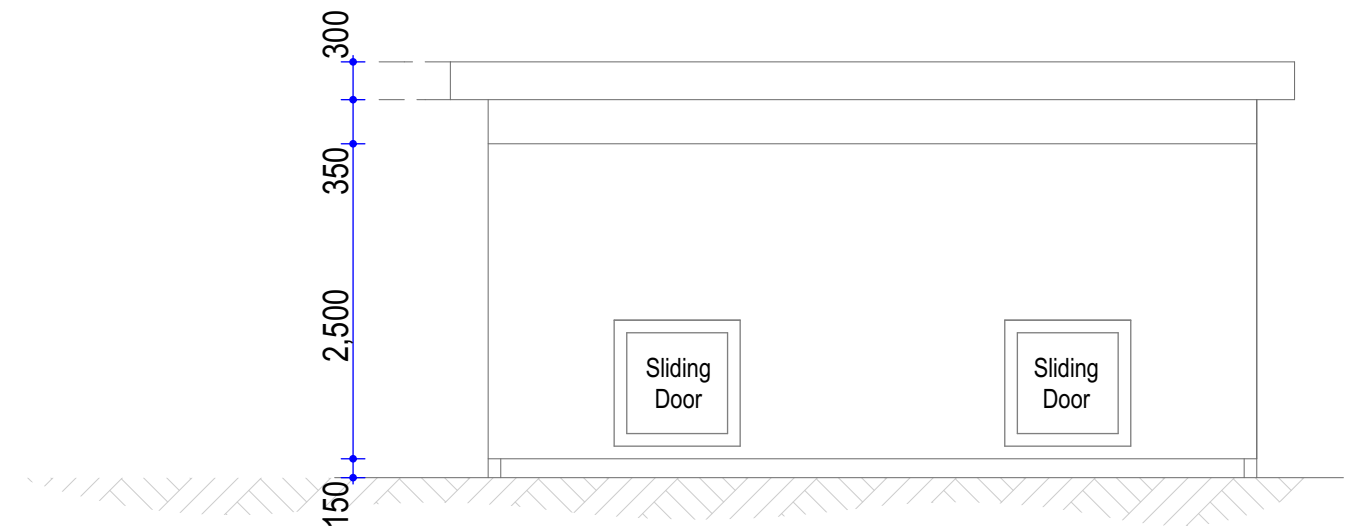
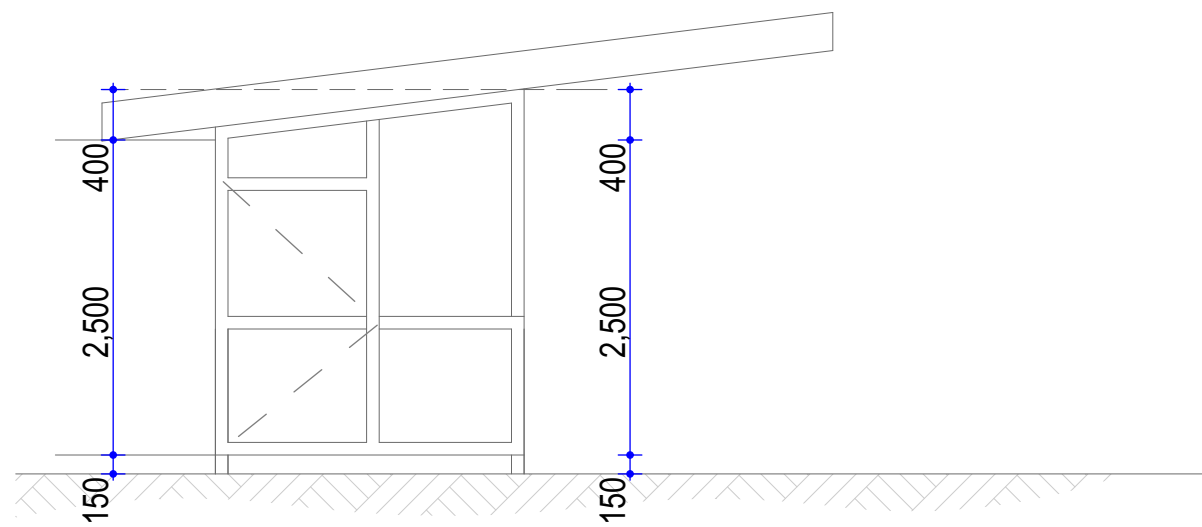
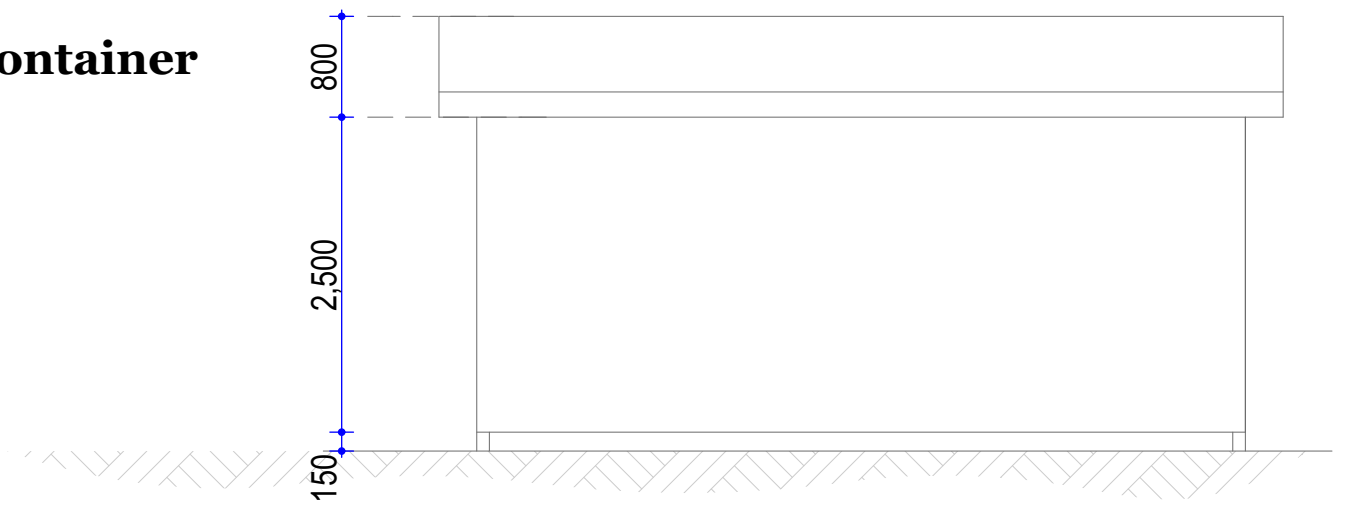
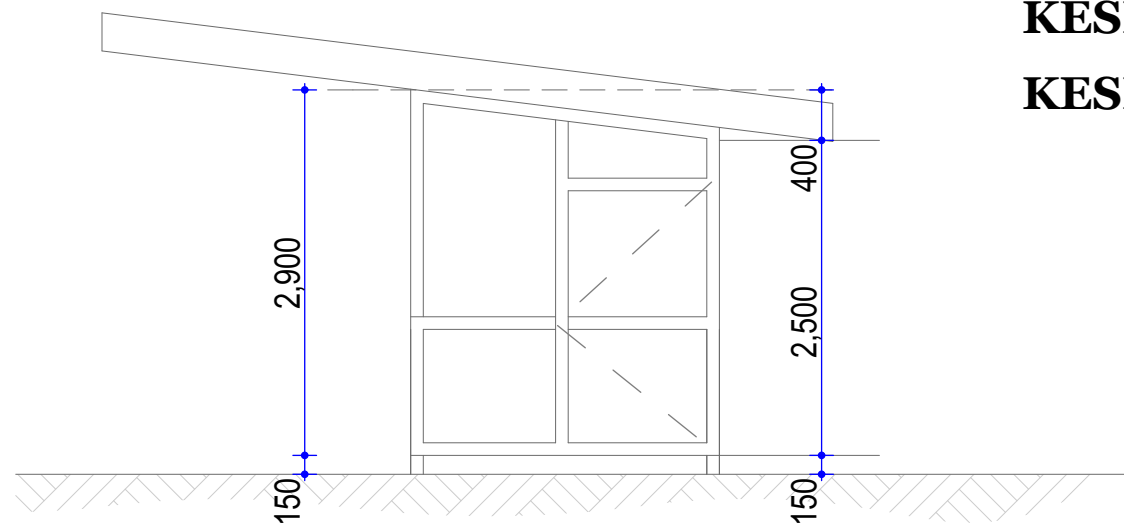
Custom House Mombasa Exit



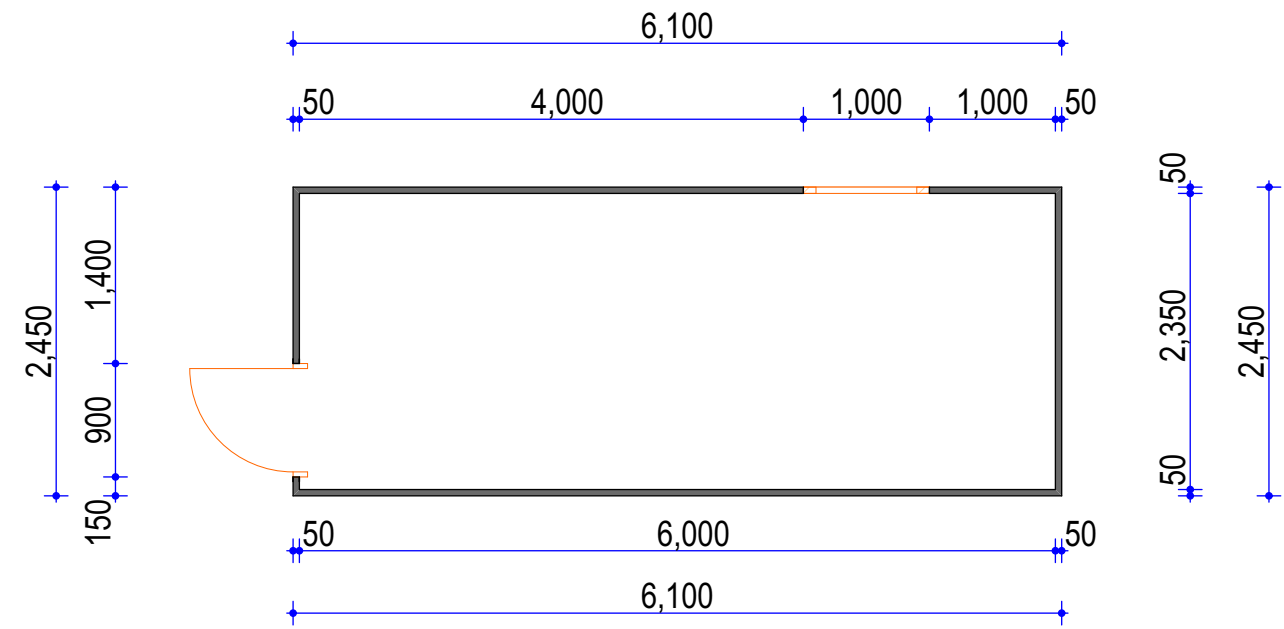
project: Custom House Mombasa Exit	drawing description	Revision: Date:	Scale: As Shown	
	Drawing No.		Date:	



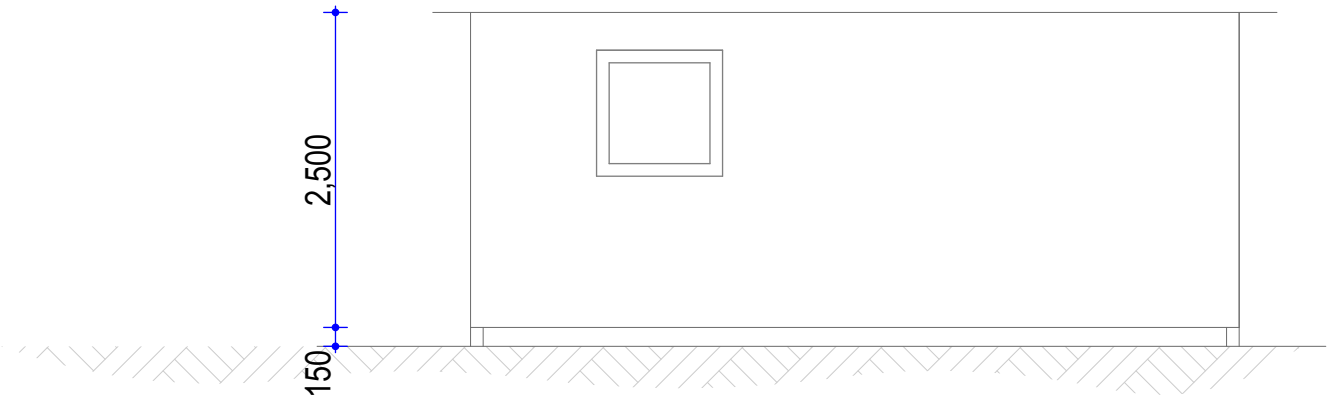
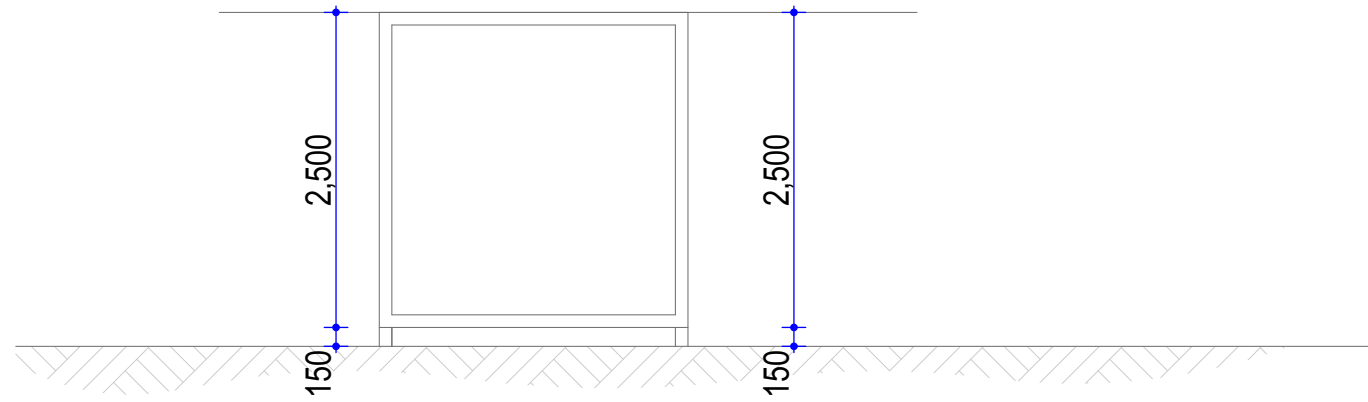
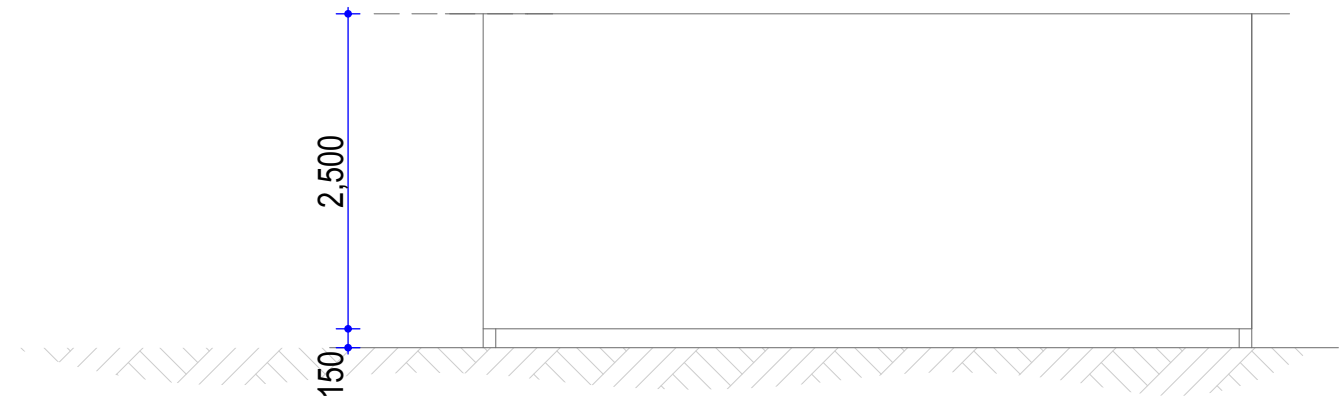
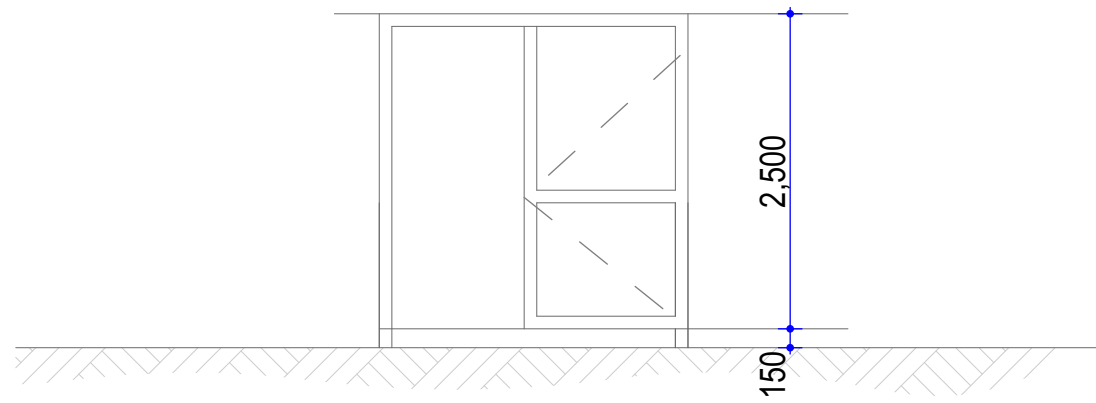
KESRA Mombasa Exit - Container
KESRA Mombasa Entrance - Container



project: Kesra Mombasa	drawing description	Revision: Date:	Scale: As Shown	
	Drawing No.		Date:	



**Custom House Mombasa (Staff)
Container**



project: Custom House Mombasa (Staff)	drawing description	Revision: Date:	Scale: As Shown		
	Drawing No.			Date:	